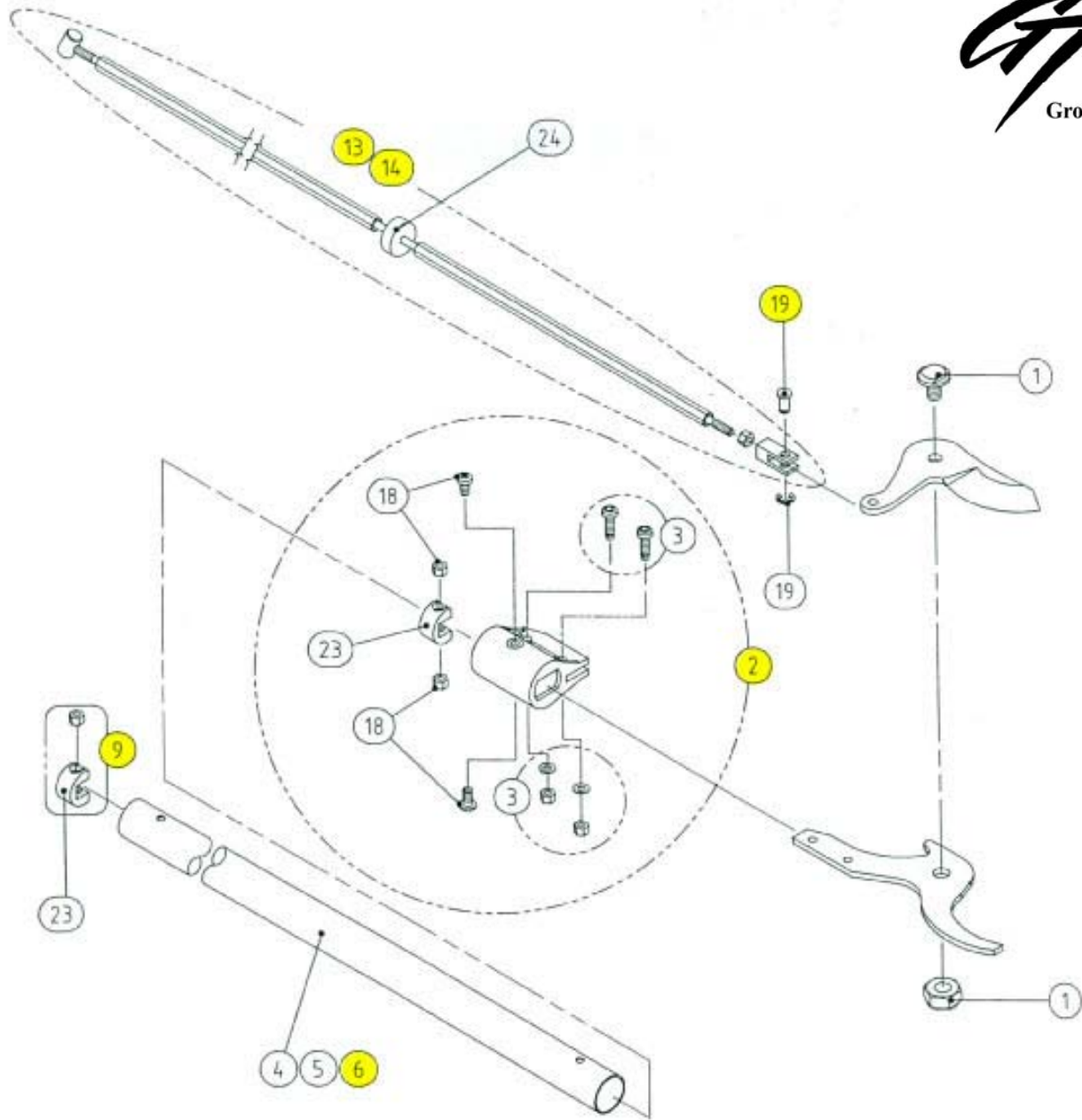


185 Series LongReach Loppers - Page 1 of 2

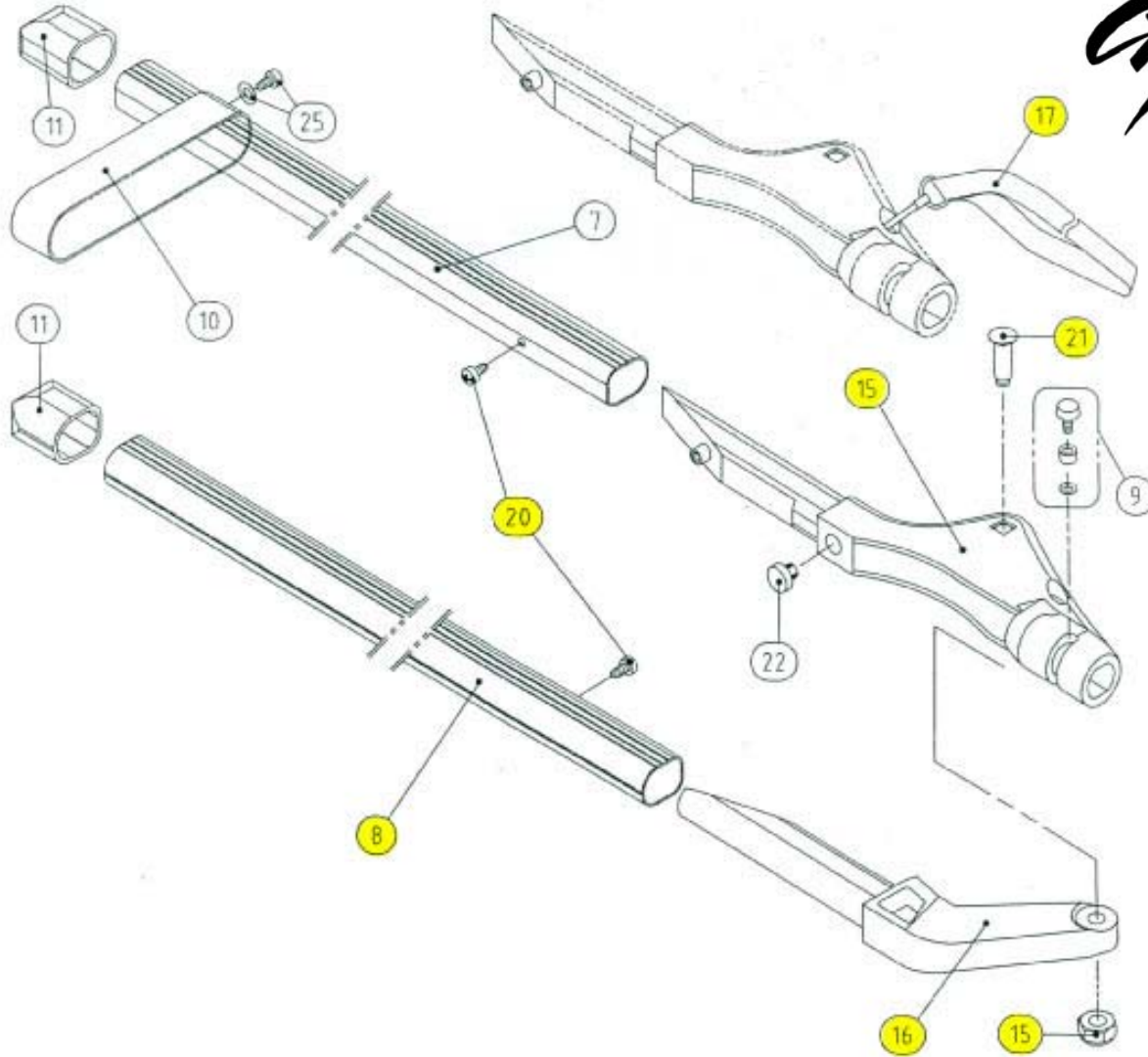


- | | | | | |
|----|---|-----|------------------|--------------------------------|
| 1. | Pivot Bolt for Blade Set | 13. | SP-185231 | Rod Set for LP-18515 |
| 2. | SP-185206 Collar For Blade Attachment
Includes 2 screws to attach pipe and 2 bolts,
nuts and washers for the counter blade. | 14. | SP-185232 | Rod Set for LP-18518 |
| 3. | Cap, Bolt, Nut, & Washer to attach Blade to Collar | 18. | | Screw to attach Collar to Pipe |
| 5. | Pipe for LP-18515 | 19. | SP-185163 | Screw Set, Blade to Rod |
| 6. | SP-185210 Pipe for LP-18518 | 23. | | Rod Guide |
| 9. | SP-185213 Screw Set (Controls Rotation of Blade Pipe) | 24. | | Rod Holding Disk |
| | | | BLADE SET | |
| | | | SP-1851 | Replacement Blade Set |

*All highlighted items are available from inventory.
All others are available by Special Order.*

185 Series LongReach Loppers - Page 2 of 2

SPARE PARTS DIAGRAM



- | | |
|---------------|--------------------------------|
| 7. | Lever Pipe 1 |
| 8. SP-185212 | Lever Pipe 2 |
| 10. | Stopper Band |
| 11. | End Cap |
| 15. SP-185252 | Grip |
| 16. SP-185253 | Lever (Special Order) |
| 17. SP-185STP | Strap |
| 20. SP-185318 | Bolt for Lever Pipe |
| 21. SP-185319 | Bolt & Nut for Grip |
| 22. | Rubber Cushion for Handle |
| 25. | Bolt and Nut for Stopper Band |

*All highlighted items are available from inventory.
All others are available by Special Order.*