



**Sharper, Lighter, Stronger Tools**



# **SPARE PARTS DIAGRAMS**

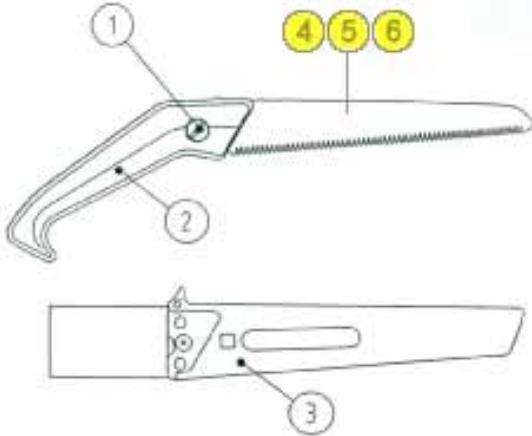
**Updated 5/1/11**

**PRUNING SAWS  
FOLDING SAWS  
POLE SAWS  
PRUNING SHEARS  
FRUIT PRUNERS  
LONG REACH PRUNERS  
HEDGE SHEARS  
LOPPING SHEARS  
OTHER SHEARS**

# PRUNING SAWS

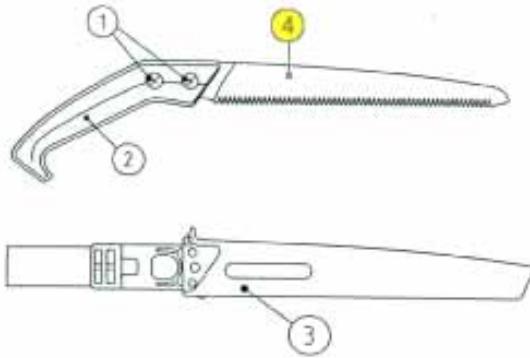


## SA-CAM18/18L/18LN



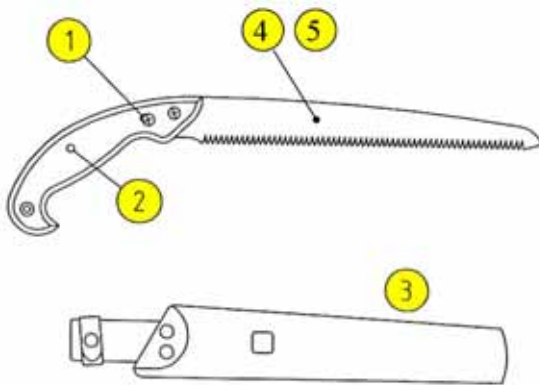
1. Bolt & Nut
2. Grip for SA-CAM18LN (Red)
3. Sheath for SA-CAM18/CAM18L (Black)
4. SB-P181 Blade for SA-CAM18
5. SB-P18L1 Blade for SA-CAM18L
6. SB-18LN1 Blade for SA-CAM18LN

## SA-CAM24LN



1. Bolt & Nut
2. Grip for SA-CAM24LN (Red)
3. Sheath for SA-CAM24LN (Red)
4. SB-24LN1 Spare Blade for SA-CAM24LN

## SA-PS25KL/PS30KL

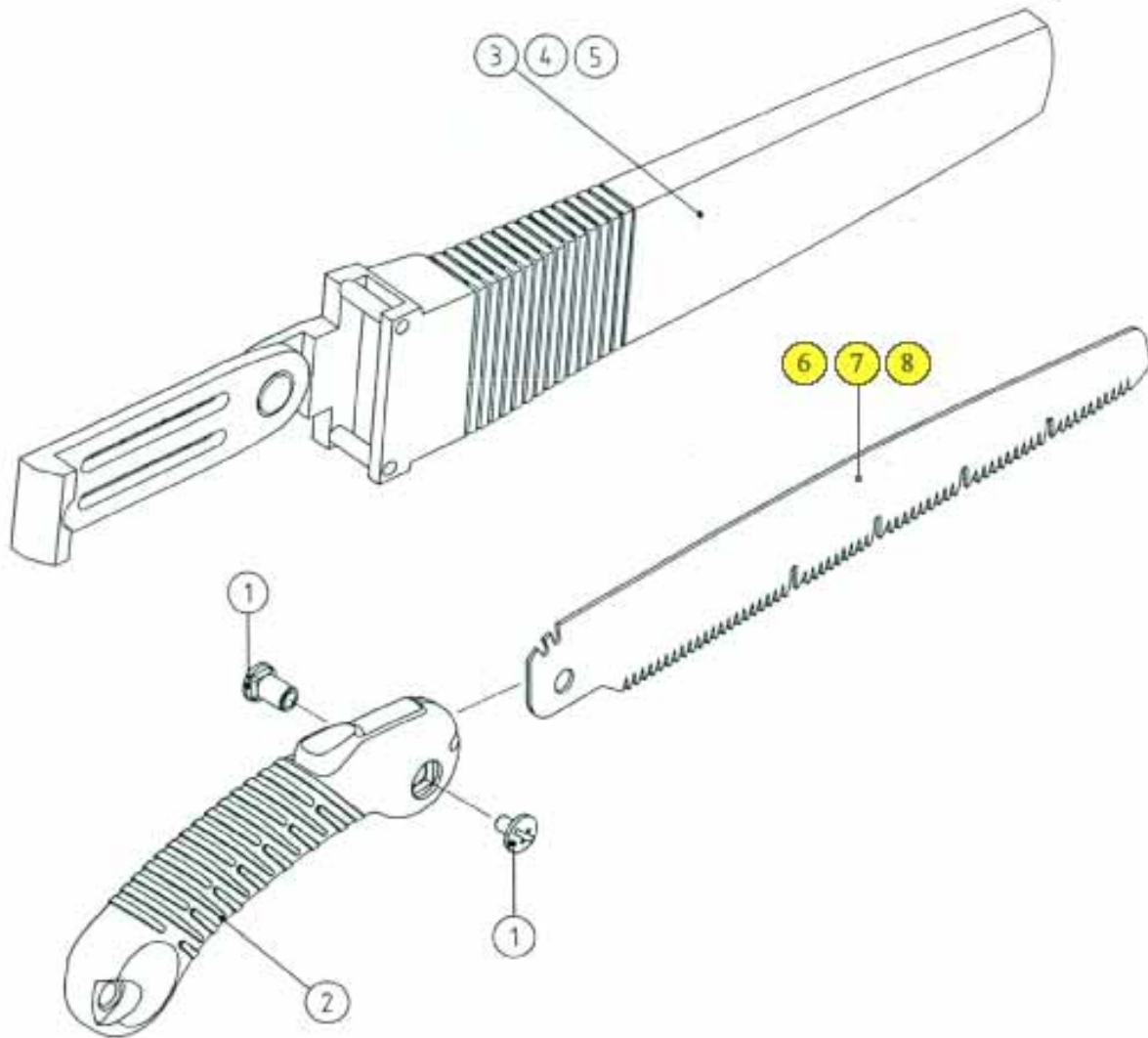


1. SP-PS06 Bolt & Nut
2. SPC-PS30H Marine Plywood Handle
3. AC-SH30 Wooden Sheath for SA-PS30KL
4. SB-25KL1 Spare Blade for SA-PS25KL
5. SB-30KL1 Spare Blade for SA-PS30KL

*All highlighted items are available from inventory.  
All others are available by Special Order.*

# PRUNING SAWS

## SA-TL24/27/30



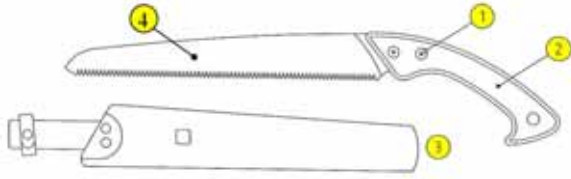
- 1. Bolt & Nut
- 2. Grip
- 3. Sheath for SA-TL24
- 4. Sheath for SA-TL27
- 5. Sheath for SA-TL30
- 6. SB-TL241 Spare Blade for SA-TL24
- 7. SB-TL271 Spare Blade for SA-TL27
- 8. SB-TL301 Spare Blade for SA-TL30

***All highlighted items are available from inventory.  
All others are available by Special Order.***

# PRUNING SAWS



## SA-PS32LL



- |              |                                    |
|--------------|------------------------------------|
| 1. SP-13INBN | Bolt & Nut for Banana and C-Handle |
| 2. SPC-PS13H | Marine Plywood Handle              |
| 3. AC-SH32   | Wooden Sheath                      |
| 4. SB-32LL1  | Spare Blade for SA-PS32LL          |

## SA-UV32PROW/SA-CT32PROW PRO Blade, Marine Plywood PRO Handle



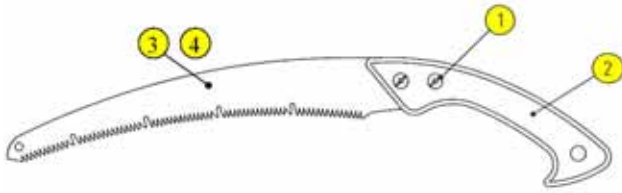
- |                |   |
|----------------|---|
| 1. SP-13INBN   | Bolt & Nut for Banana and C-Handle          |
| 2. SPC-PROW    | Marine Plywood PRO Handle                   |
| 3. SB-UV32PRO1 | Spare Blade for SA-UV32PROW (Raker Tooth )  |
| 4. SB-CT32PRO1 | Spare Blade for SA-CT32 PROW(Even Toothing) |

*All highlighted items are available from inventory.  
All others are available by Special Order.*

# PRUNING SAWS



## SA-CT32/SA-UV32 Wooden Banana Handle



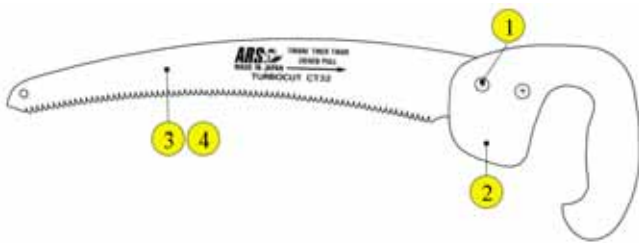
1. SP-13INBN Bolt & Nut for Banana and C-Handle
2. SPC-PS13H Marine Plywood Handle
3. SB-UV321 Spare Blade for SA-UV32 (Raker Tooth )
4. SB-CT321 Spare Blade for SA-CT32 (Even Toothing)

## SA-CT32PW/SA-UV32PW Wooden PRO Handle



1. SP-13INBN Bolt & Nut for Banana and C-Handle
2. SPC-PROW Marine Plywood Handle
3. SB-UV321 Spare Blade for SA-UV32PW (Raker Tooth )
4. SB-CT321 Spare Blade for SA-CT32PW (Even Toothing)

## SA-CT32CH/SA-UV32CH Wooden C Handle

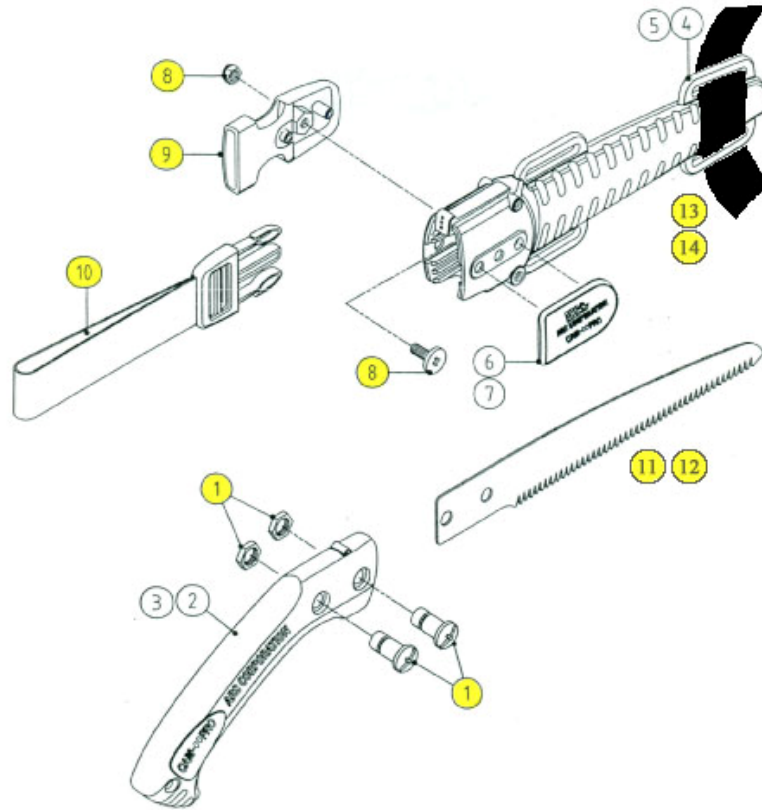


1. SP-13INBN Bolt & Nut for Banana and C-Handle
2. SPC-CHW Marine Plywood C Handle
3. SB-UV321 Spare Blade for SA-UV32CH (Raker Tooth )
4. SB-CT321 Spare Blade for SA-CT32CH (Even Toothing)

*All highlighted items are available from inventory.  
All others are available by Special Order.*

# PRUNING SAWS

## SA-CAM24PRO / CAM18PRO

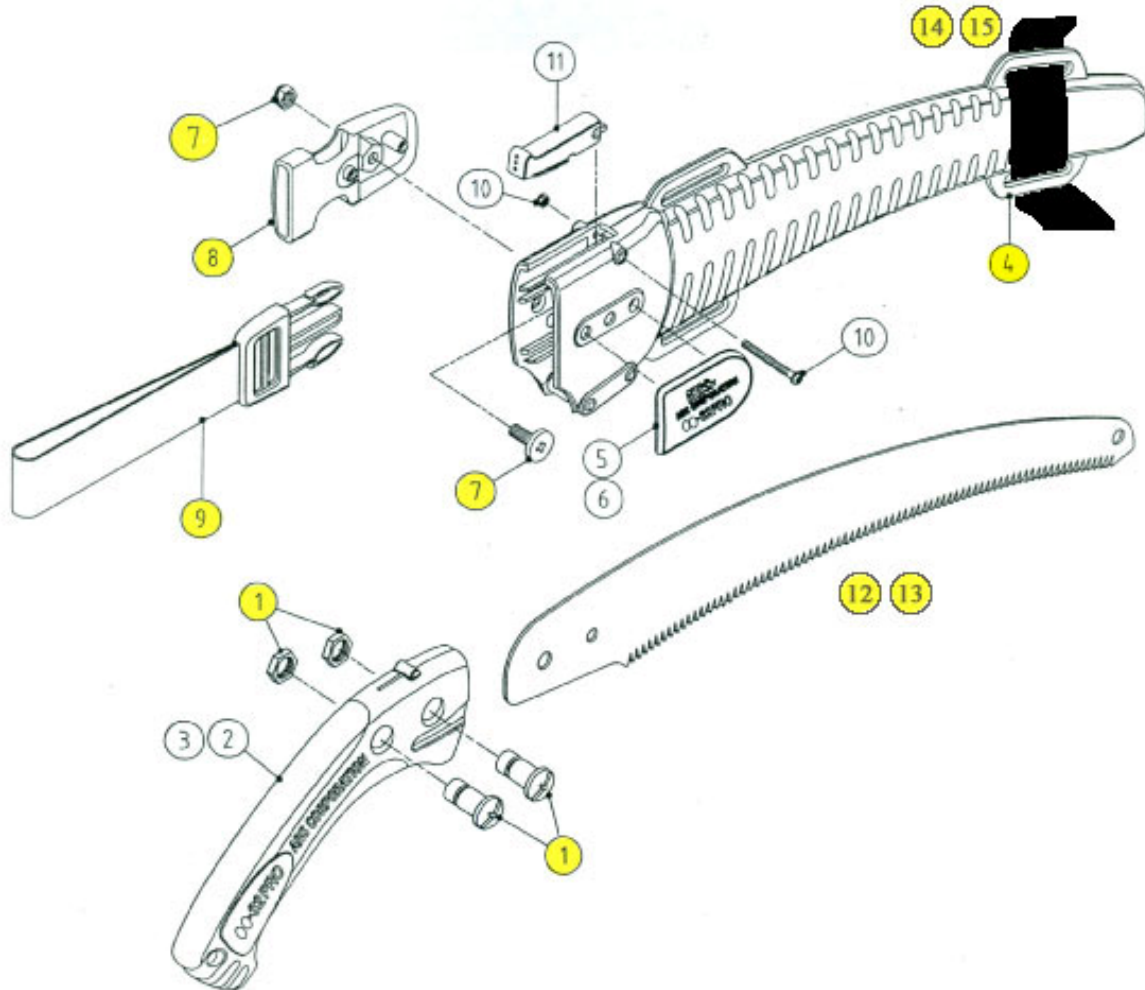


- |     |           |                                    |
|-----|-----------|------------------------------------|
| 1.  | SP-PRO359 | Bolt & Nut                         |
| 2.  |           | Grip for CAM18PRO                  |
| 3.  |           | Grip for SA-CAM24PRO               |
| 4.  |           | Sheath for CAM18PRO                |
| 5.  |           | Sheath for SA-CAM24PRO             |
| 6.  |           | Name Plate for SA-CAM18PRO         |
| 7.  |           | Name Plate for SA-CAM24PRO         |
| 8.  | SP-PRO366 | Bolt & Nut for Belt Clip           |
| 9.  | SP-PRO367 | Belt Clip                          |
| 10. | SP-PRO368 | Belt                               |
| 11. | SB-24PRO1 | Spare Blade for SA-CAM24PRO        |
| 12. | SB-18PRO1 | Spare Blade for SA-CAM18PRO        |
| 13. | AC-PROST  | ARS Double Ring Tension Leg Straps |
| 14. | ACC-VLST  | Velcro Leg Straps (Set of 2)       |

***All highlighted items are available from inventory.  
All others are available by Special Order.***

# PRUNING SAWS

## SA-CT32PRO/SA-UV32PRO

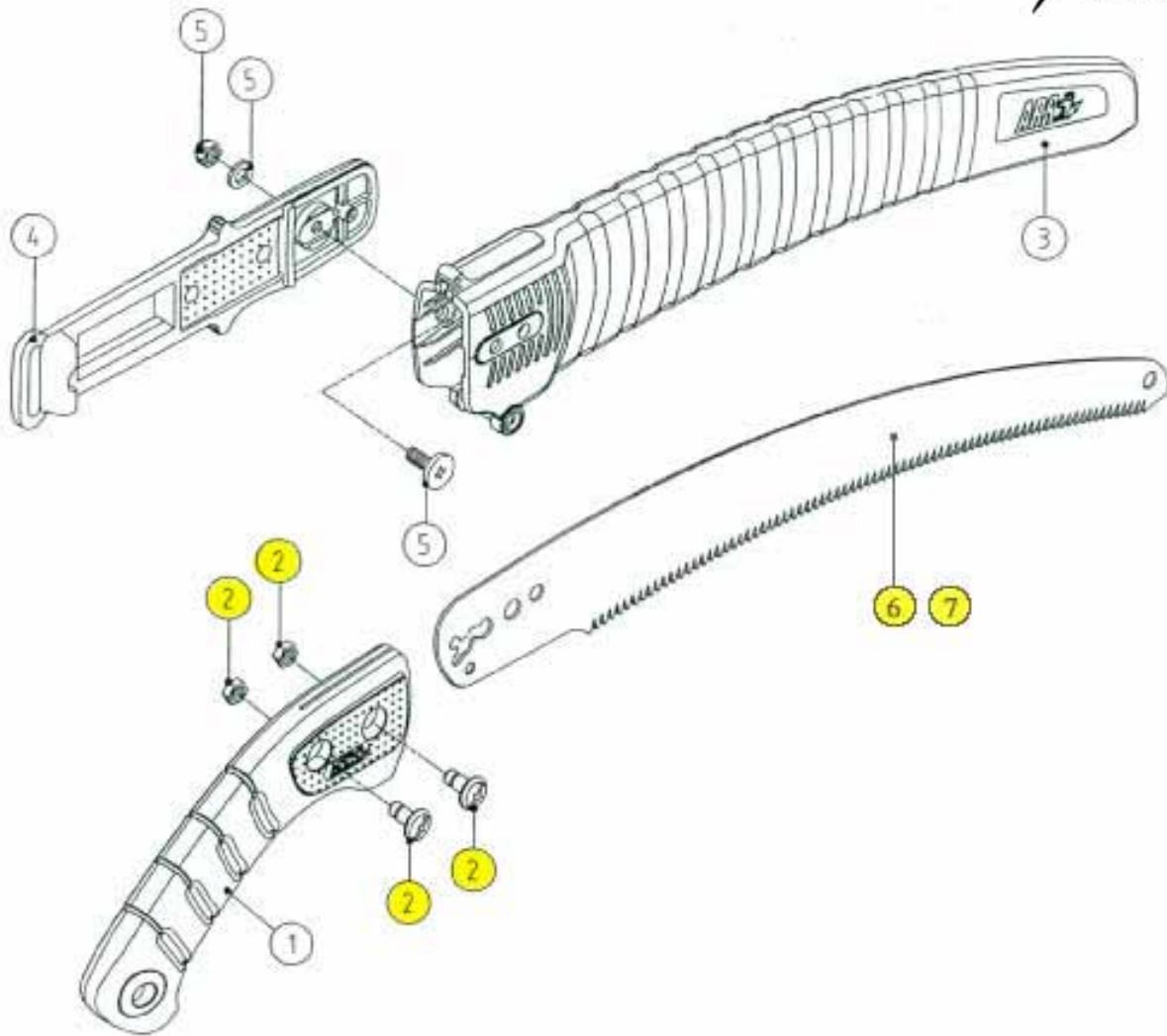


- |     |             |   |
|-----|-------------|---|
| 1.  | SP-PRO359   | Bolt & Nut for Grip                           |
| 2.  |             | Grip for SA-CT32PRO                           |
| 3.  |             | Grip for SA-UV32PRO                           |
| 4.  | SP-PRO370   | Sheath  |
| 5.  |             | Name Plate for SA-CT32PRO                     |
| 6.  |             | Name Plate for SA-UV32PRO                     |
| 7.  | SP-PRO366   | Bolt & Nut for Belt Clip                      |
| 8.  | SP-PRO367   | Belt Clip                                     |
| 9.  | SP-PRO368   | Belt Loop                                     |
| 10. |             | Bolt & Nut for Stopper                        |
| 11. |             | Stopper                                       |
| 12. | SB-CT32PRO1 | Spare Blade for SA-CT32PRO                    |
| 13. | SB-UV32PRO1 | Spare Blade for SA-UV32PRO                    |
| 14. | AC-PROST    | ARS Double Ring Tension Leg Straps (Set of 2) |
| 15. | ACC-VLST    | Velcro Leg Straps (Set of 2)                  |

***All highlighted items are available from inventory.  
All others are available by Special Order.***

# PRUNING SAWS

SA-CT32E/ SA-UV32E

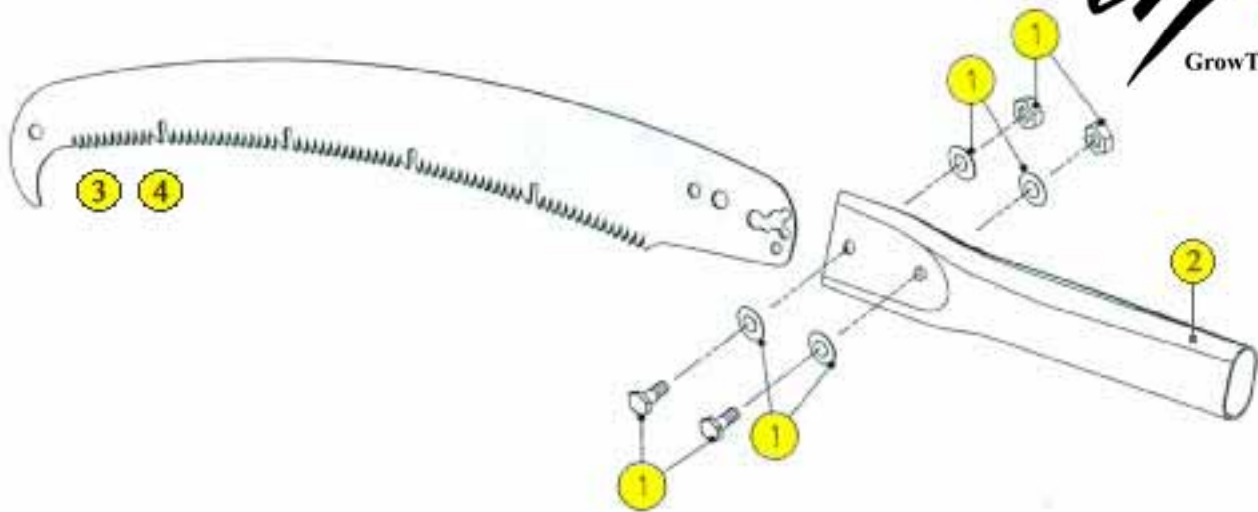


- 1. Rubber coated plastic grip
- 2. SP-PRO359 Bolt & Nut
- 3. Sheath
- 4. Belt Loop
- 5. Bolt, Nut, and Washer for Sheath
- 6. SB-CT32E1 Replacement Blade for SA-CT32E
- 7. SB-UV32E1 Replacement Blade for SA-UV32E

*All highlighted items are available from inventory.  
All others are available by Special Order.*

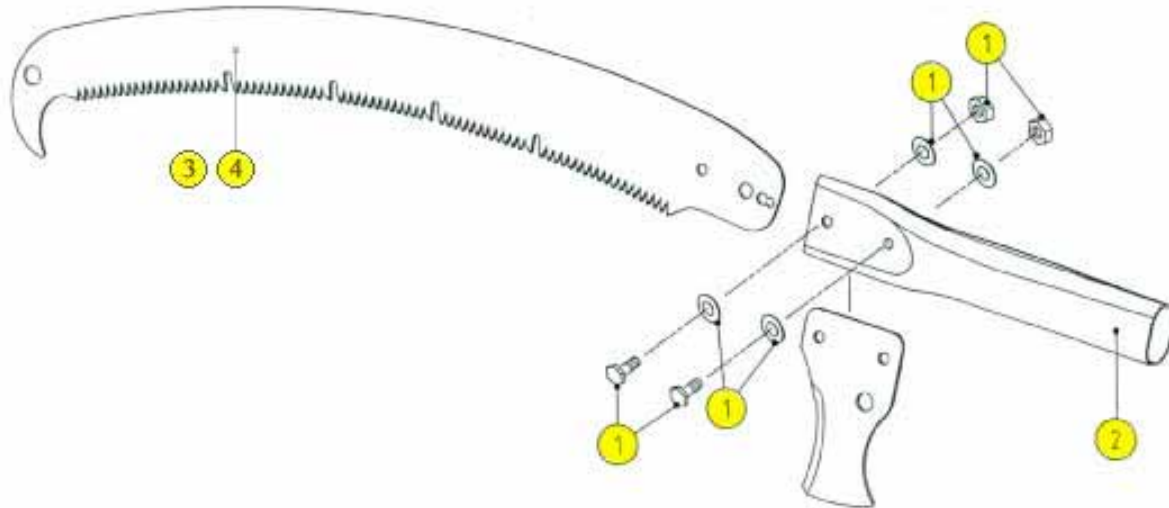
# ARS Saws for EXP Extension Poles

## SA-UV34EXP/CT34EXP



1. SP-EXP146 Bolt, & Nut for Grip
2. SC-JG2 Grip Set for SA-CT34EXP/UV34EXP (screws included)
3. SB-UV341 Spare Blade for SA-UV34EXP
4. SB-CT341 Spare Blade for SA-CT34EXP

## SA-UV40/UV47



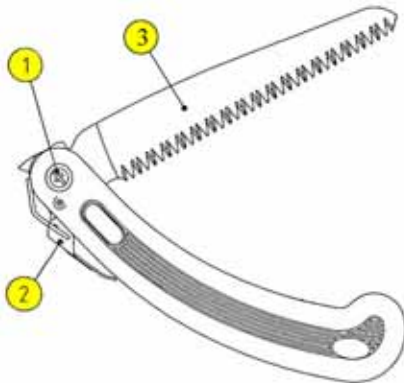
1. SP-EXP146 Bolt & Nut for Grip
2. SC-JG1 Grip Set for SA-UV40/47 (screws included)
3. SB-UV401 Spare Blade for SA-UV40
4. SB-UV471 Spare Blade for SA-UV47

*All highlighted items are available from inventory.  
All others are available by Special Order.*

# FOLDING SAWS

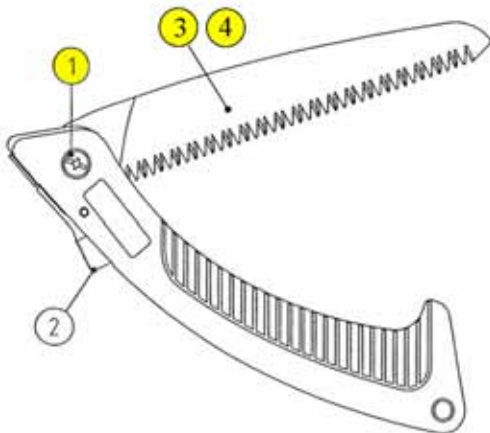


## SA-210DX



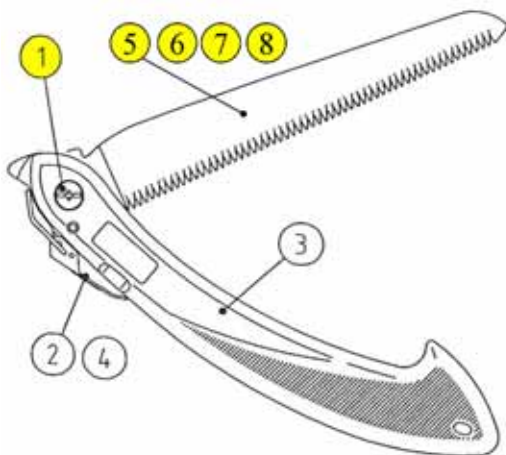
- |    |          |                   |
|----|----------|-------------------|
| 1. | SP-21003 | Bolt and Nut      |
| 2. | SP-SA179 | Latch lock        |
| 3. | SB-211   | Replacement Blade |

## SA-GR17/G17/Z17



- |    |          |  |
|----|----------|--|
| 1. | SP-SA118 | Bolt & Nut                                     |
| 2. |          | Stopper Set                                    |
| 3. | SB-GR171 | Replacement Blade for SA-GR17<br>(Curved)      |
| 4. | SB-G171  | Replacement Blade for SA-G17/Z17<br>(Straight) |

## SA-G18/G18L/G18H/GR18L

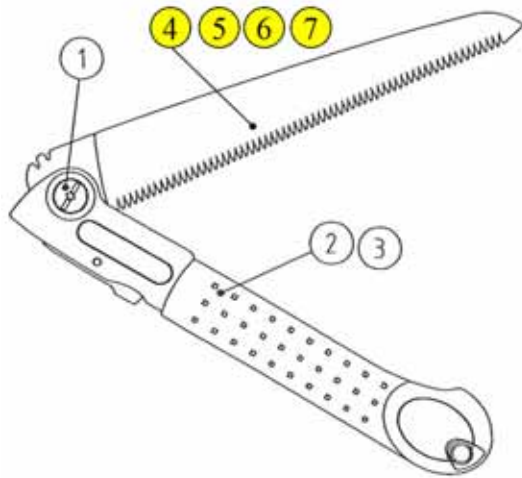


- |    |           |                                  |
|----|-----------|----------------------------------|
| 1. | SP-SA1    | Bolt & Nut                       |
| 2. |           | Latch Lock Set for SA-G18 Series |
| 3. |           | Grip Only                        |
| 4. |           | Latch Lock Set for SA-GR18L      |
| 5. | SB-P181   | Spare Blade for SA-G18           |
| 6. | SB-P18L1  | Spare Blade for SA-G18L          |
| 7. | SB-P18H1  | Spare Blade for SA-G18H          |
| 8. | SB-GR18L1 | Spare Blade for SA-GR18L         |

***All highlighted items are available from inventory.  
All others are available by Special Order.***

# FOLDING SAWS

## SA-PM21/21L/24/24L

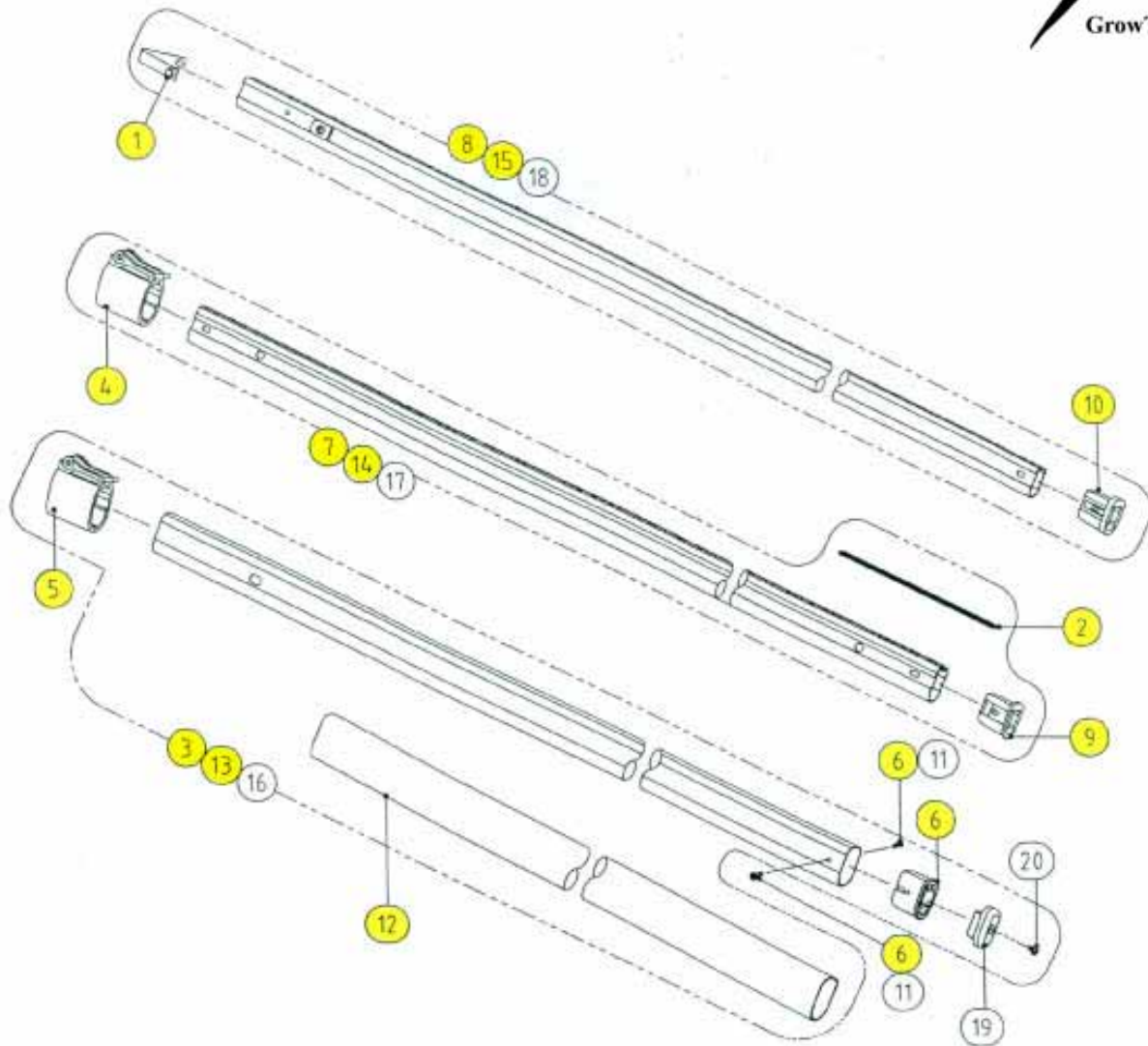


1. Bolt & Nut with Washer
2. Grip for SA-PM21/21L
3. Grip for SA-PM24/24L
4. SB-PM211 Spare Blade for SA-PM21
5. SB-PM21L1 Spare Blade for SA-PM21L
6. SB-PM241 Spare Blade for SA-PM24
7. SB-PM24L1 Spare Blade for SA-PM24L

*All highlighted items are available from inventory.  
All others are available by Special Order.*

# Pole Saws

## SC-EXP33/EXP45/EXP55

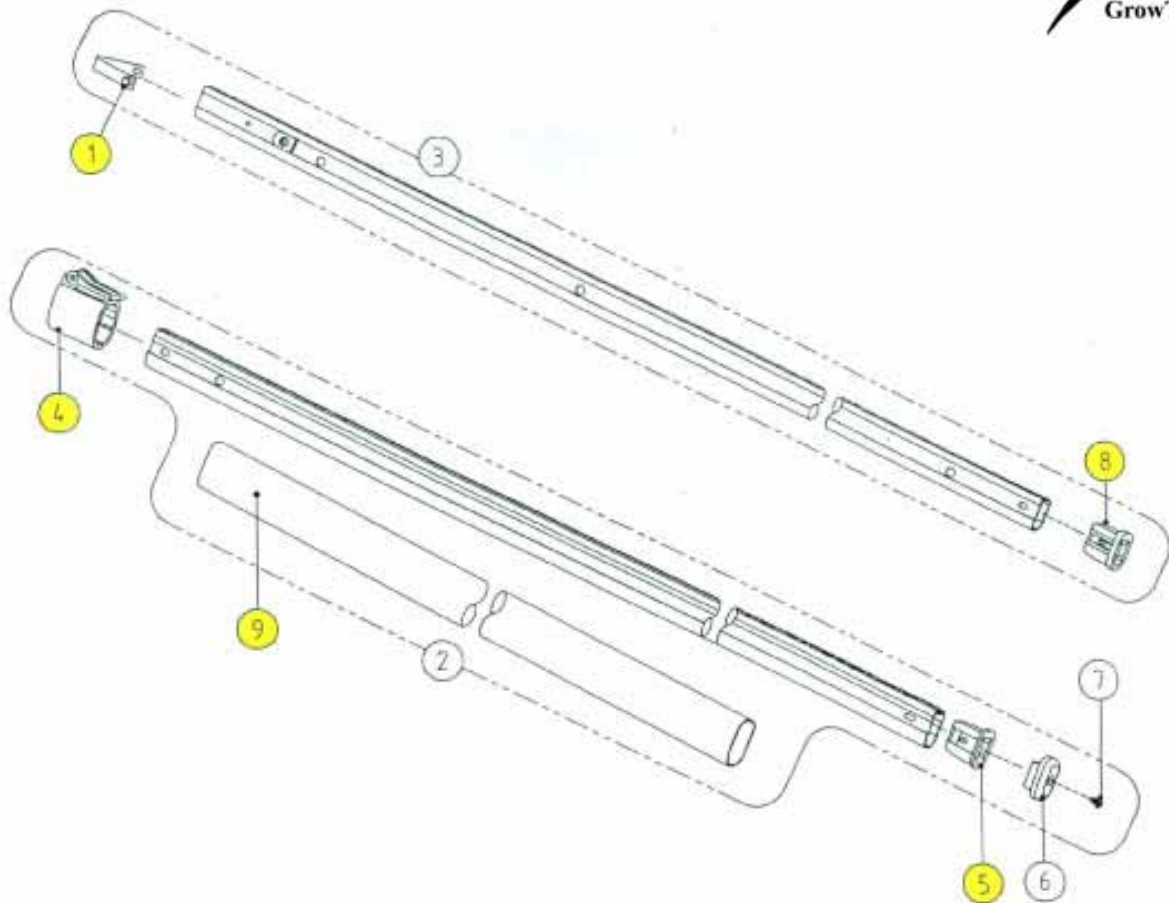


- |               |   |               |  |
|---------------|---|---------------|--|
| 1. SP-EXP110  | Press Button with Spring                | 10. SP-EXP120 | Endcap for Upper (Inner) Pipe                            |
| 2. SP-EXP111  | Plastic Guide Piece, 10 5/8"            | 11.           | Screw for Endcap on Lower (Outer) Pipe                   |
| 3. SP-EXP112  | Lower (Outer) Pipe for SC-EXP45         | 12. SP-EXP122 | Grip Cover   |
| 4. SP-EXP113A | Stopper Set for Middle Pipe of SC-EXP45 | 13. SP-EXP102 | Lower (Outer) Pipe for SC-EXP55 ( <b>Special Order</b> ) |
| SP-EXP113B    | Stopper Set for Middle Pipe of SC-EXP55 | 14. SP-EXP103 | Middle Pipe for SC-EXP55 ( <b>Special Order</b> )        |
| SP-EXP113C    | Stopper Set for Middle Pipe of SC-EXP23 | 15. SP-EXP104 | Upper (Inner) Pipe for SC-EXP55 ( <b>Special Order</b> ) |
| SP-EXP113D    | Stopper Set for Middle Pipe of SC-EXP33 | 16.           | Lower (Outer) Pipe for SC-EXP33 ( <b>Special Order</b> ) |
| 5. SP-EXP114  | Stopper Set for Lower (Outer) Pipe      | 17.           | Middle Pipe for SC-EXP33 ( <b>Special Order</b> )        |
| 6. SP-EXP115  | End Cap for Lower (Outer) Pipe          | 18.           | Upper (Inner) Pipe for SC-EXP33 ( <b>Special Order</b> ) |
| 7. SP-EXP116  | Middle Pipe for SC-EXP45                | 19.           | Rubber Cushion for EXP Series ( <b>Special Order</b> )   |
| 8. SP-EXP45CP | Upper (Inner) Pipe for SC-EXP45         | 20.           | Screw for EXP Series ( <b>Special Order</b> )            |
| 9. SP-EXP119  | Endcap for Middle Pipe                  |               |  |

*All highlighted items are available from inventory.  
All others are available by Special Order.*

# Pole Saws

## SC-EXP23

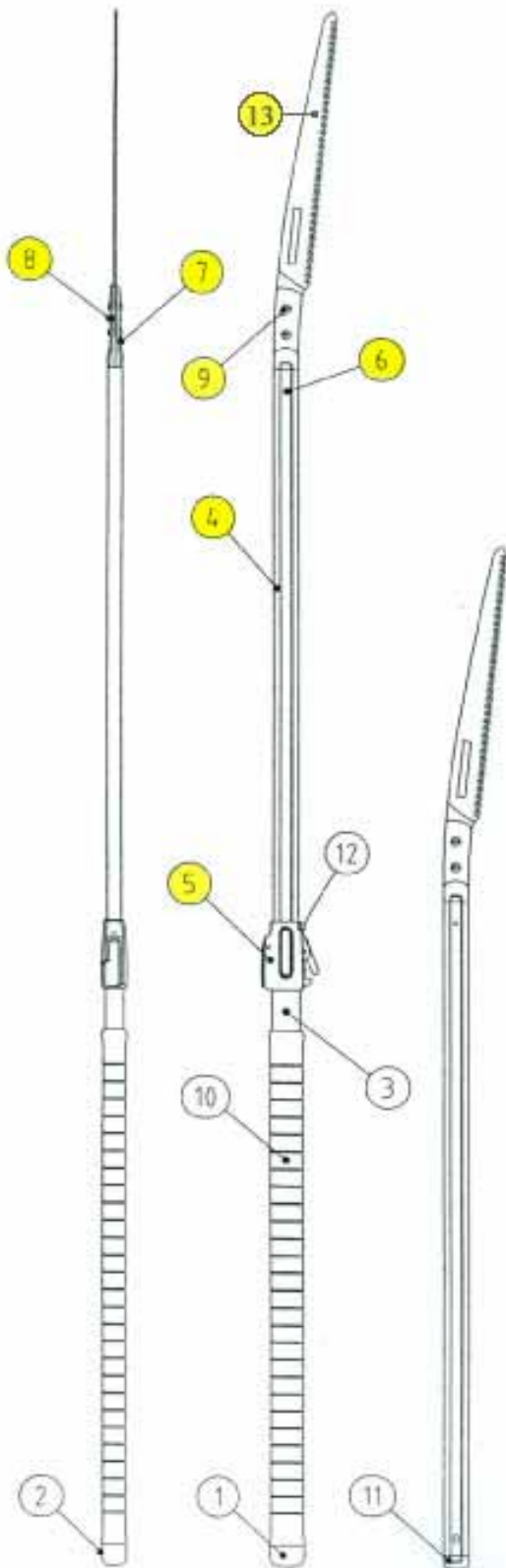


1. SP-EXP110 Press Button with Spring
2. Bottom (Outer) Pipe (**Special Order**)
3. Upper (Inner) Pipe (**Special Order**)
4. SP-EXP113C Stopper Set for Bottom (Outer) Pipe
5. SP-EXP119 End Cap for Bottom (Outer) Pipe
6. Rubber Cushion for EXP Series (**Special Order**)
7. Screw for EXP Series (**Special Order**)
8. SP-EXP120 End Cap for Upper (Inner) Pipe
9. SP-EXP122 Grip Cover for Bottom (Outer) Pipe

*All highlighted items are available from inventory.  
All others are available by Special Order.*

# Pole Saws

## SC-EXW18/EXW27



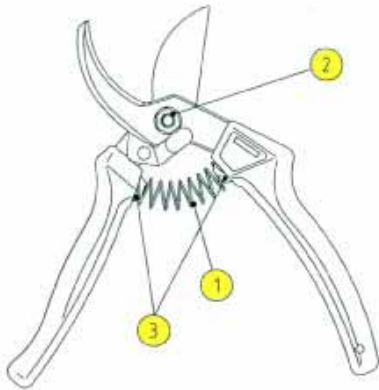
1. End Cap for Bottom Pipe
2. End Cap Holding Screw
3. Bottom Grip Set  
(Includes Grip and Joint Case)
4. SP-EXW312 Inner Pipe (Without Blade Holder)
5. SP-EXW304B Joint Case for SC-EXW27  
Joint Case for SC-EXW18 (**Special Order**)
6. SP-EXW305 Bolt & Nut for Blade Holder to Pipe (1 pc. Each)
7. SP-EXW306 Blade Holder (Right)
8. SP-EXW307 Blade Holder (Left)
9. SB-EXW308 Blade Holding Bolt/Nut (1 pc. Each)
10. Plastic Grip only for the Bottom Pipe
11. End Cap for Inner Pipe
12. Screw for Joint Case (2 pcs.)
13. SB-EXW1 Replacement Blade

*All highlighted items are available from inventory.  
All others are available by Special Order.*

# PRUNING SHEARS

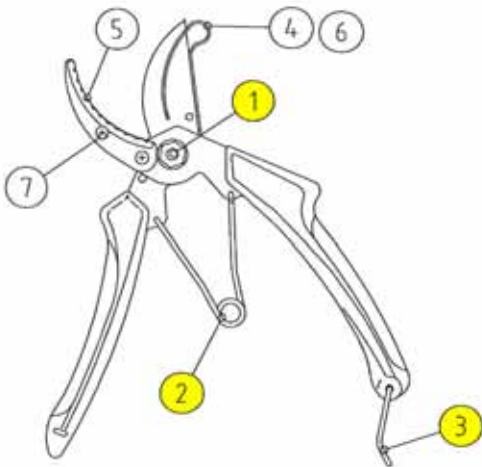


## HP-120EU



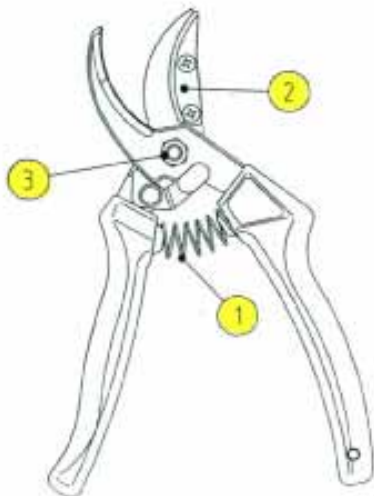
1. SP-HP157 Spring
2. SP-HP14 Bolt & Nut
3. SP-HP70 Rubber Cushion

## HP-120DXT



1. SP-HP14 Bolt & Nut
2. SP-120DX15 Spring
3. SP-HP16 Steel Hook
4. Upper Holding Device
5. Lower Holding Device
6. Bolt for Upper Holding Device
7. Bolt for Lower Holding Device

## HP-120EUR



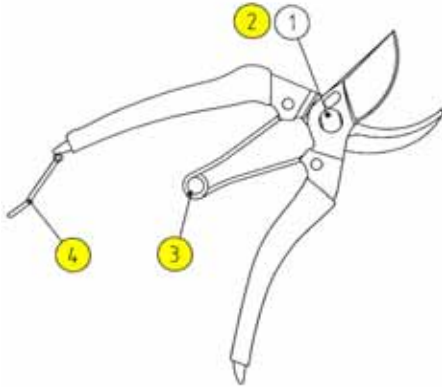
1. SP-HP157 Spring
2. SP-120322 Holding Device Set for Cutting Blade
3. SP-HP14 Bolt & Nut

*All highlighted items are available from inventory.  
All others are available by Special Order.*

# PRUNING SHEARS

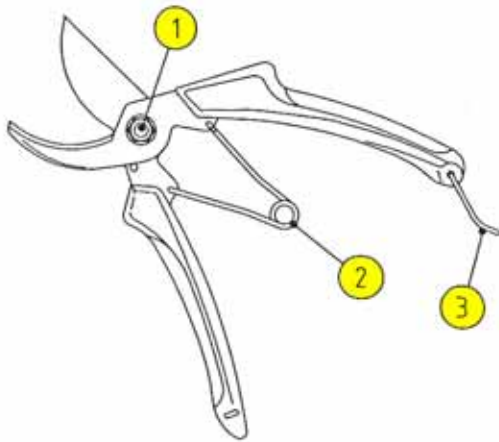


## HP-120S7/120S8



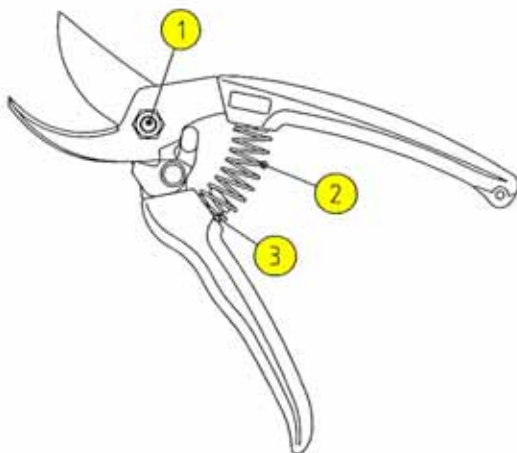
1. Bolt & Nut for HP-120S7
2. SP-120S808 Bolt & Nut for HP-120S8
3. SP-120S809 Spring
4. SP-120S10 Steel Hook

## HP-120DX



1. SP-HP14 Bolt & Nylon Nut
2. SP-120DX15 Spring
3. SP-HP16 Locking Hook

## HP-130DX/140DX



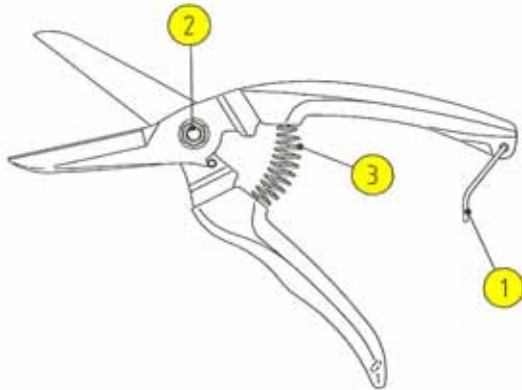
1. SP-HP14 Bolt & Nylon Nut
2. SP-HP61 Spring
3. SP-HP70 Rubber Cushion

*All highlighted items are available from inventory.  
All others are available by Special Order.*

# PRUNING SHEARS

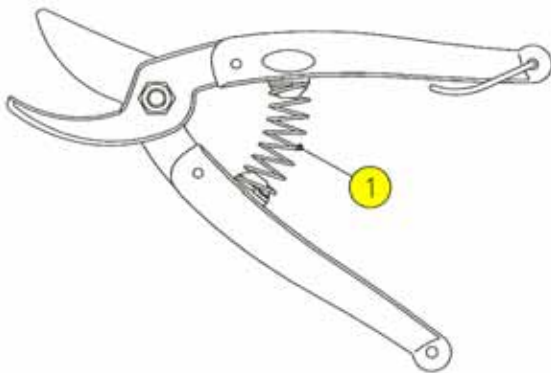


## HP-140LDX



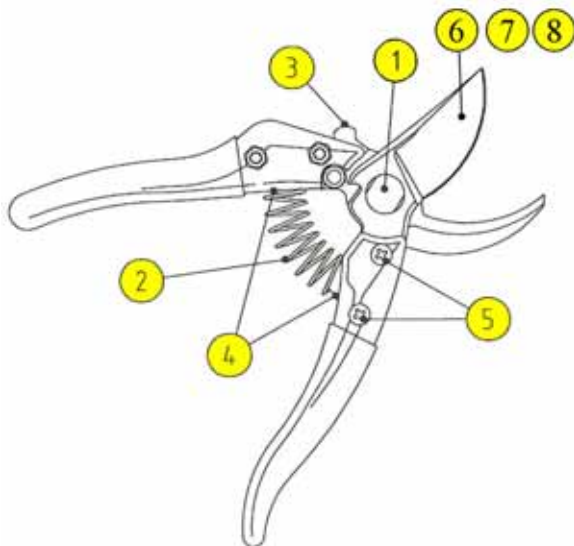
- |    |         |                       |
|----|---------|-----------------------|
| 1. | SP-HP16 | Steel Hook for Handle |
| 2. | SP-HP14 | Bolt & Nut            |
| 3. | SP-HP17 | Spring                |

## HP-QT13/QT14



- |    |          |        |
|----|----------|--------|
| 1. | SP-HP260 | Spring |
|----|----------|--------|

## HP-V7Z/V8Z/V9Z



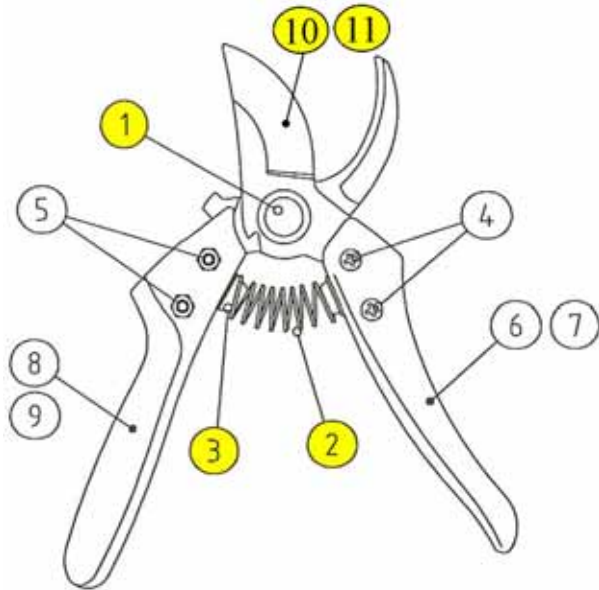
- |    |          |                        |
|----|----------|------------------------|
| 1. | SP-HP60  | Bolt & Nut             |
| 2. | SP-HP61  | Spring                 |
| 3. | SP-HP62  | Latch Lock Set         |
| 4. | SP-HP151 | Rubber Cushion         |
| 5. | SP-V8323 | Screw & Nut for Handle |
| 6. | SP-V7Z1  | Blade Set for HP-V7Z   |
| 7. | SP-V8Z1  | Blade Set for HP-V8Z   |
| 8. | SP-V9Z1  | Blade Set for HP-V9Z   |

*All highlighted items are available from inventory.  
All others are available by Special Order.*

# PRUNING SHEARS

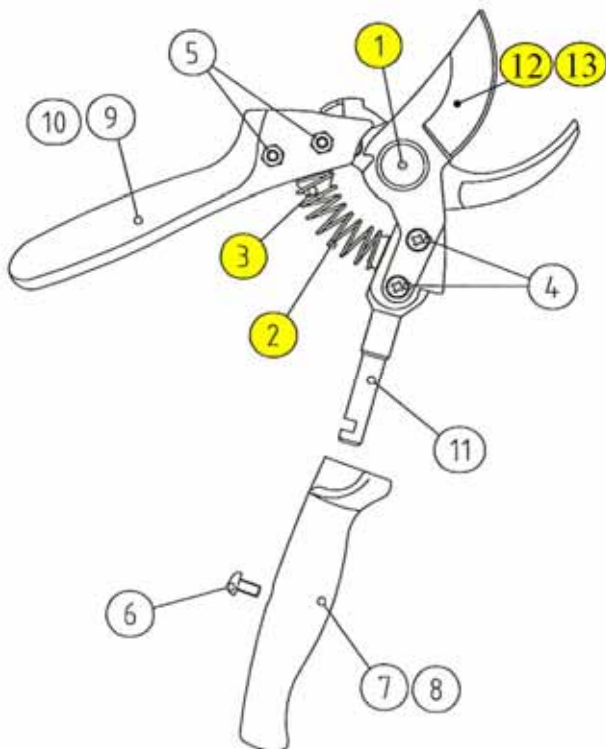


## HP-CB8/CB9



- |     |          |                                   |
|-----|----------|-----------------------------------|
| 1.  | SP-HP217 | Center Bolt & Nut                 |
| 2.  | SP-HP218 | Spring                            |
| 3.  | SP-HP219 | Rubber Bumper                     |
| 4.  |          | Bolt & Nut for Cutting Blade Grip |
| 5.  |          | Bolt & Nut for Counter Blade Grip |
| 6.  |          | Cutting Blade Grip for HP-CB8     |
| 7.  |          | Cutting Blade Grip for HP-CB9     |
| 8.  |          | Counter Blade Grip for HP-CB8     |
| 9.  |          | Counter Blade Grip for HP-CB9     |
| 10. | SP-CB81  | Spare Blade for HP-CB8            |
| 11. | SP-CB91  | Spare Blade for HP-CB9            |

## HP-CBR8/CBR9

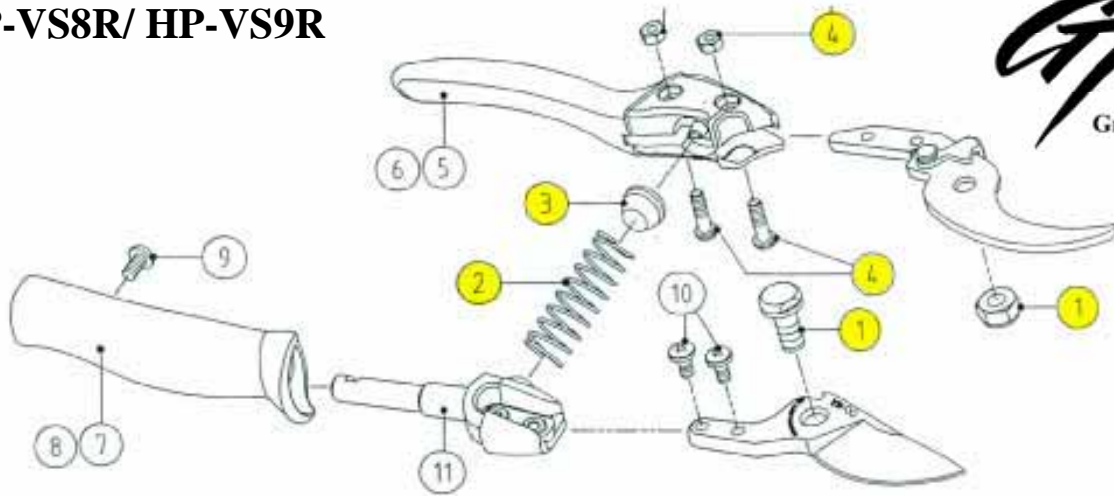


- |     |          |                                |
|-----|----------|--------------------------------|
| 1.  | SP-HP217 | Center Bolt & Nut              |
| 2.  | SP-HP218 | Spring                         |
| 3.  | SP-HP219 | Rubber Bumper                  |
| 4.  |          | Blade Holding Bolt             |
| 5.  |          | Bolt & Nut for grip            |
| 6.  |          | Bolt for Roll Grip             |
| 7.  |          | Rotating Grip for HP-CBR8      |
| 8.  |          | Rotating Grip for HP-CBR9      |
| 9.  |          | Counter Blade Grip for HP-CBR8 |
| 10. |          | Counter Blade Grip for HP-CBR9 |
| 11. |          | Axle (Shaft) for Rotating Grip |
| 12. | SP-CB81  | Spare Blade for HP-CBR8        |
| 13. | SP-CB91  | Spare Blade for HP-CBR9        |

***All highlighted items are available from inventory.  
All others are available by Special Order.***

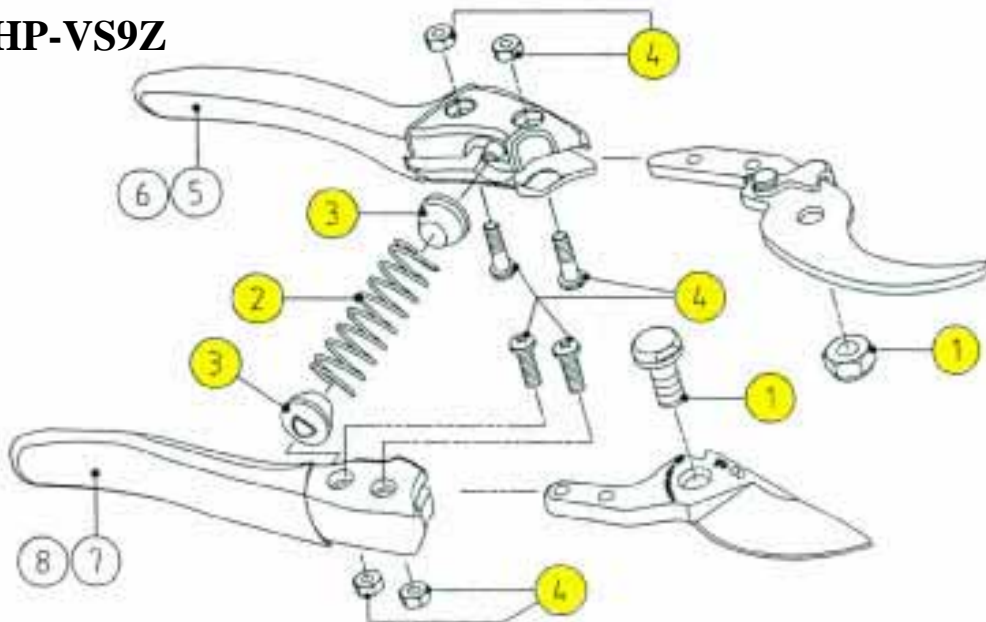
# PRUNING SHEARS

## HP-VS8R/ HP-VS9R



- |    |          |                             |                    |                                |
|----|----------|-----------------------------|--------------------|--------------------------------|
| 1. | SP-HP60  | Bolt & Nut                  | 8.                 | Rotating Grip for VS9R         |
| 2. | SP-HP61  | Spring                      | 9.                 | Bolt for Roll Grip             |
| 3. | SP-HP151 | Rubber Cushion              | 10.                | Blade Holding Bolt             |
| 4. | SP-V8323 | Handle Screw & Nut          | 11.                | Axle (Shaft) for Rotating Grip |
| 5. |          | Counter Blade Grip for VS8R | <b>BLADE SETS:</b> |                                |
| 6. |          | Counter Blade Grip of VS9R  | SP-VS8Z1           | Blade set for HP-VS8R          |
| 7. |          | Rotating Grip for VS8R      | SP-VS9Z1           | Blade set for HP-VS9R          |

## HP-VS8Z/ HP-VS9Z



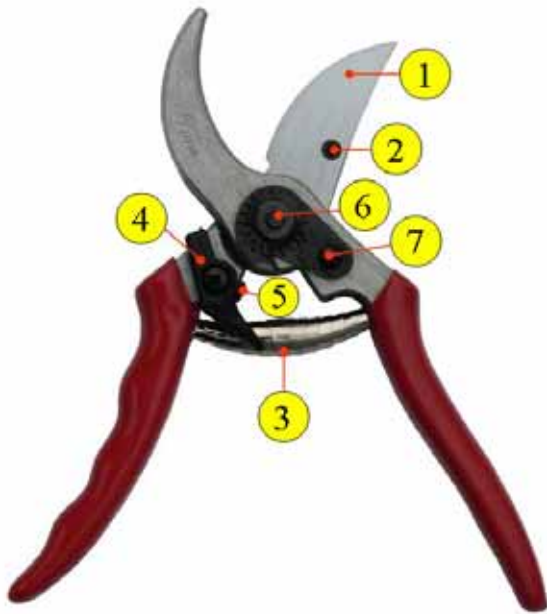
- |    |          |                             |                    |                             |
|----|----------|-----------------------------|--------------------|-----------------------------|
| 1. | SP-HP60  | Bolt & Nut                  | 7.                 | Cutting Blade Grip for VS8Z |
| 2. | SP-HP61  | Spring                      | 8.                 | Cutting Blade Grip for VS9Z |
| 3. | SP-HP151 | Rubber Cushion              | <b>BLADE SETS:</b> |                             |
| 4. | SP-V8323 | Handle Screw & Nut          | SP-VS8Z1           | Blade set for HP-VS8R       |
| 5. |          | Counter Blade Grip of VS8Z  | SP-VS9Z1           | Blade set for HP-VS9R       |
| 6. |          | Counter Blade Grip for VS9Z |                    |                             |

*All highlighted items are available from inventory.*

# PRUNING SHEARS



## HPK-KS4



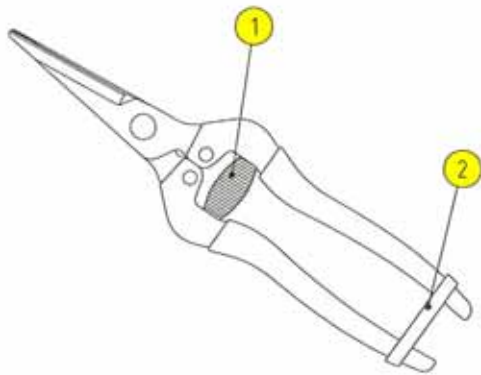
1. SPK-KS4R Blade, Hard Chrome Plated
2. SPK-KS4BS Blade Screw
3. SPK-KS4SP Spring
4. SPK-KS4L Lever and Screw
5. SPK-KS4CB Cushion / Bumper
6. SPK-KS4CBN Center Bolt & Nut
7. SPK-KS4LGS Locking Gear & Screw

*All highlighted items are available from inventory.  
All others are available by Special Order.*

# FRUIT PRUNERS

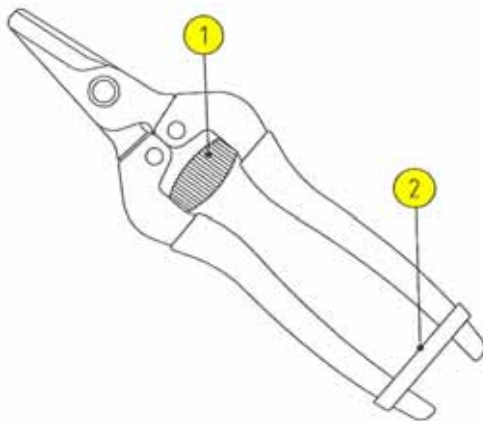


## HP-300L/300SS



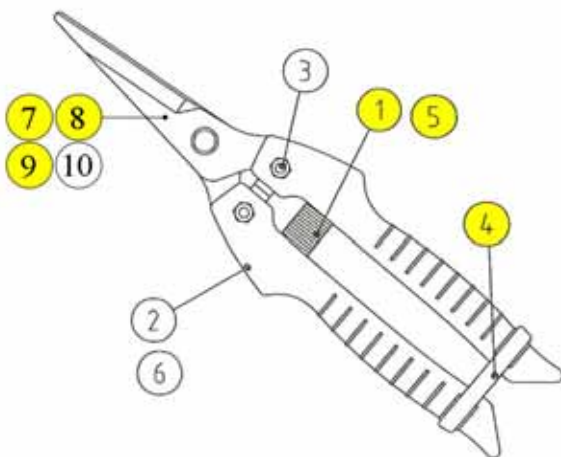
- 1. SP-30023 Spring
- 2. SP-HP161 Strap for handles

## HP-310/310DX/310BL/310T



- 1. SP-30023 Spring
- 2. SP-HP161 Strap for handles

## HP-SE30/SE45/SE65

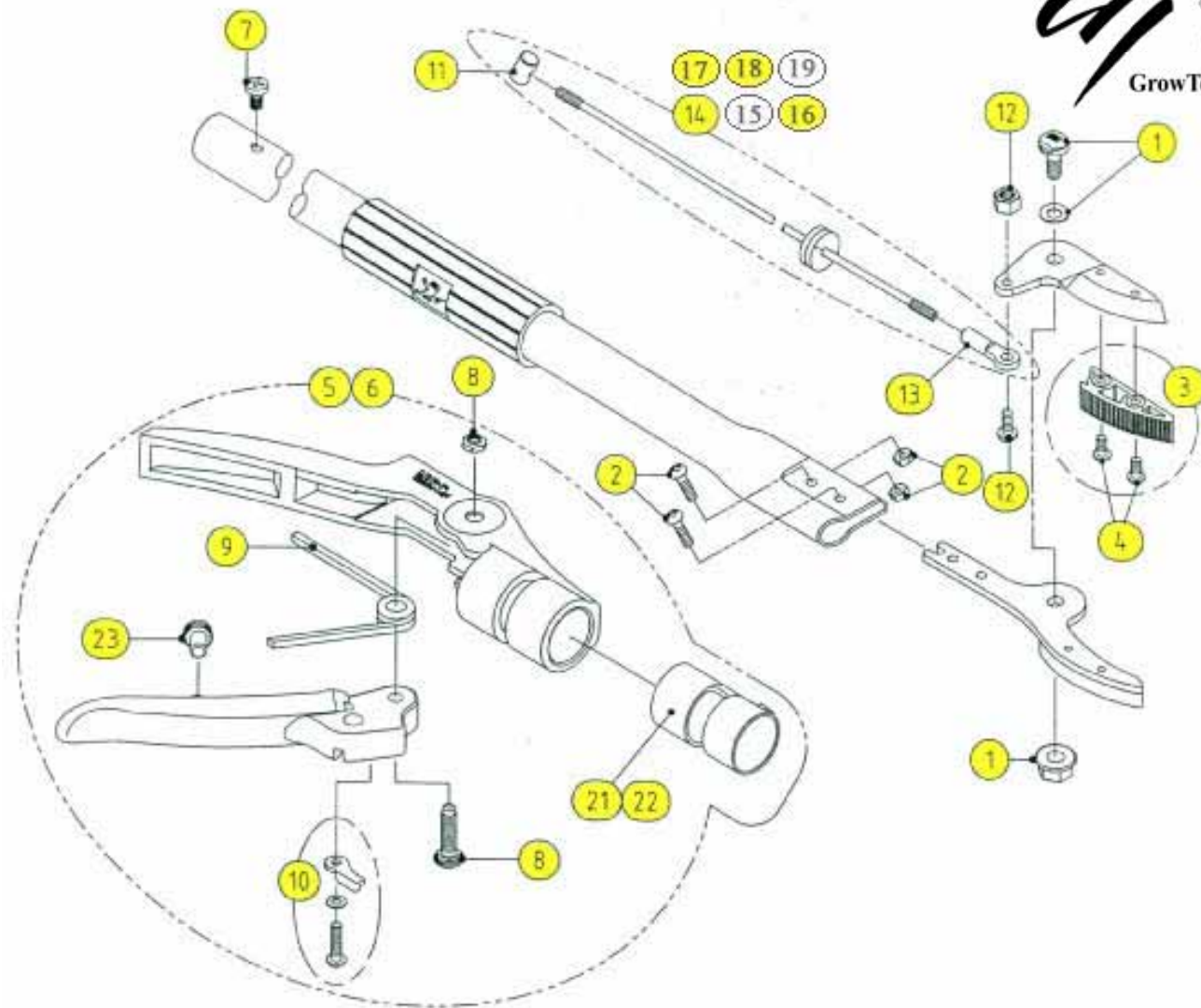


- 1. SP-SE188 Spring
- 2. Grip for HP-SE30/45/45B (1 Set)
- 3. Screw & Nut
- 4. SP-HP161 Strap for handles
- 5. SP-HP257 Spring for HP-SE65
- 6. Grip for HP-SE65 (1 Set)
- 7. SP-SE301 Spare Blade for HP-SE30
- 8. SP-SE451 Spare Blade for HP-SE45
- 9. SP-SE45B1 Spare Blade for HP-SE45B
- 10. Spare Blade for HP-SE65

***All highlighted items are available from inventory.  
All others are available by Special Order.***

# LONG REACH PRUNERS

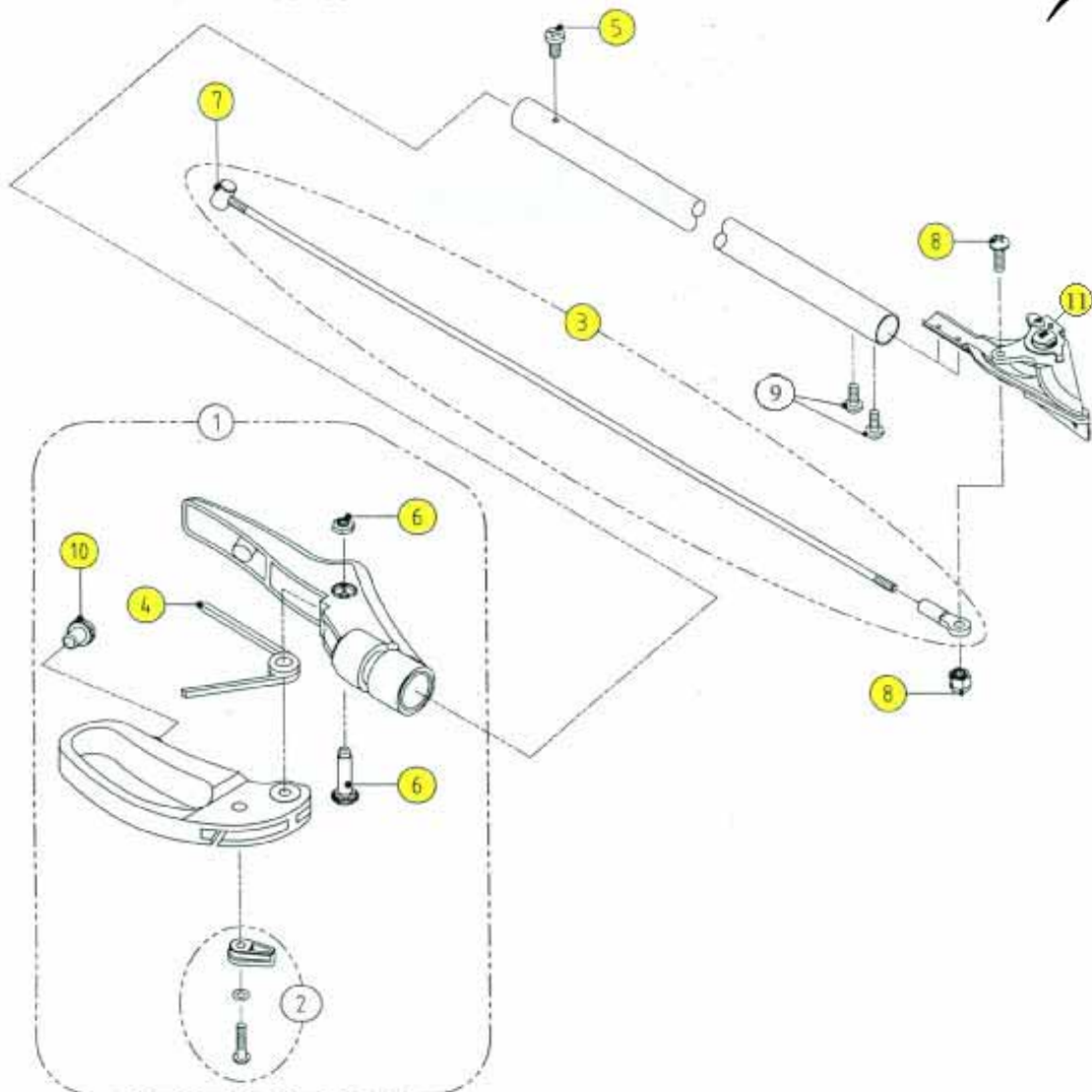
## R-Series—160/180 Head



- |              |  |                    |   |
|--------------|--|--------------------|---|
| 1. SP-LA30   | Pivot Bolt for Blade Sets                            | 14. SP-LA46        | Rod for LA-160/180R18<br>(includes end cylinder and rod endcap) |
| 2. SP-LA31   | Screw, Washer, & Nut to Attach Blade to Pipe         | 15.                | Rod for LA-160/180R24   |
| 3. SP-LA32   | Holding Device w/ 2 Screws for 160 Head              | 16. SP-LA81        | Rod for LA-160R035  |
| 4. SP-LA33   | Screw for Holding Device for 160 Head                | 17. SP-LA82        | Rod for LA-160R06   |
| 5. SP-16038A | Handle Set for 160 Units                             | 18. SP-R180R12     | Rod for LA-160/180R12<br>(includes end cylinder and rod endcap) |
| 6. SP-18038B | Handle Set for 180 Units                             | 19. SP-LA84        | Rod for LA-160/180R21— <b>Special Order</b>                     |
| 7. SP-LA39   | Stop Screw for Handle                                | 21. SP-LA160HB     | Sleeve for Grip of LA-160R035/06/12/18                          |
| 8. SP-LA40   | Pivot Bolt for Handle                                | 22. SP-LA180HB     | Sleeve for Grip of LA-160R21/24, 180/190 Series                 |
| 9. SP-LA41   | Spring for Handle                                    | 23. SP-LAXRC       | Shock Absorber for Handle                                       |
| 10. SP-LA42  | Latch Lock Set for Handle                            |                    |   |
| 11. SP-LA43  | End Cylinder for Rod                                 |                    |   |
| 12. SP-LA44  | Screw Set, Connect Blade to Rod                      |                    |   |
| 13. SP-LA45  | Rod End Cap. (Bolt with loop to attach blade to rod) |                    |   |
|              |  | <b>BLADE SETS:</b> |   |
|              |  | SP-16027           | Replacement Cut & Hold Blade Set                                |
|              |  | SP-18028           | Replacement Razor Edge Blade Set                                |

# LONG REACH PRUNERS

## LA-15006



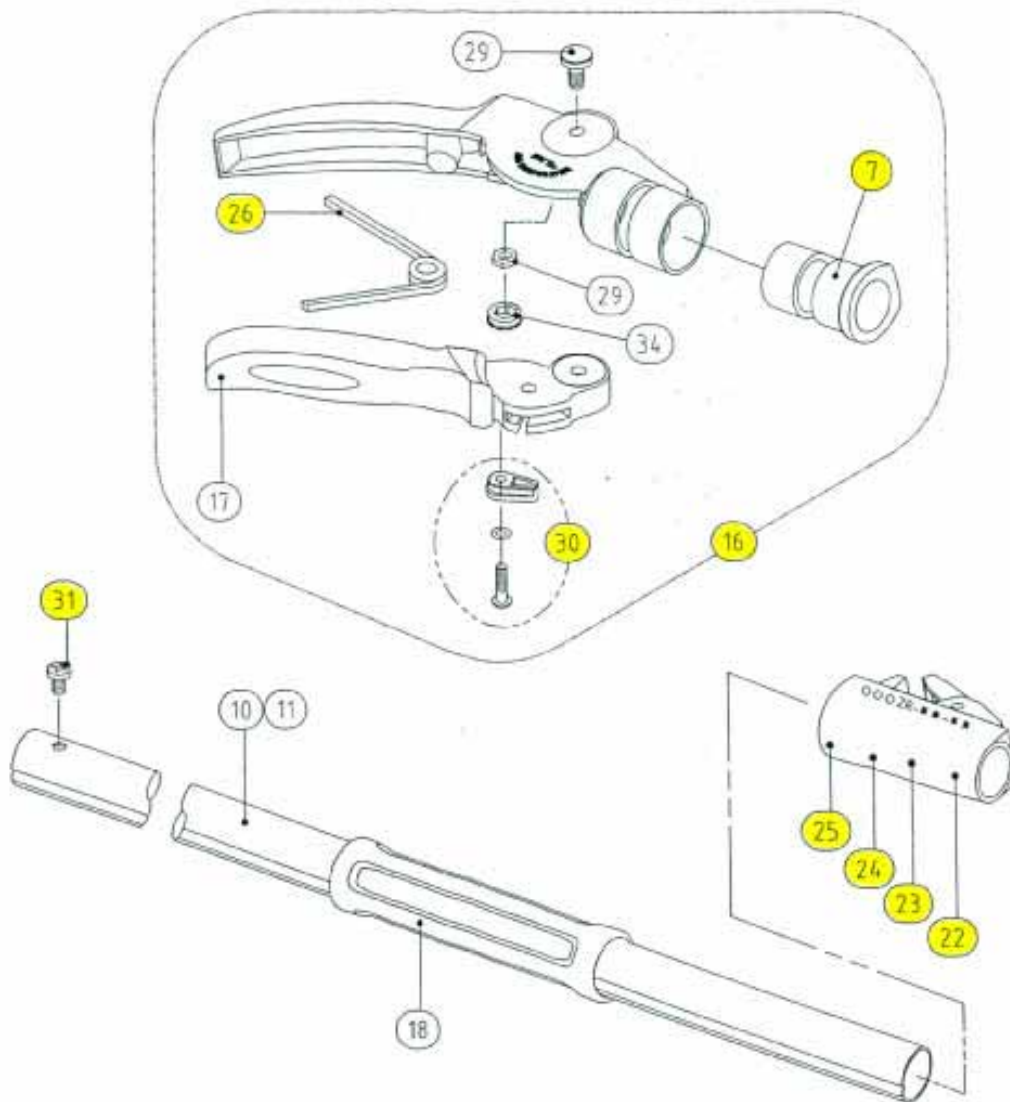
- |    |   |     |          |                                  |
|----|---|-----|----------|----------------------------------|
| 1. | Handle Set  | 7.  | SP-LA43  | End Cylinder for Inner Rod       |
| 2. | Latch Lock Set for Handle   | 8.  | SP-LA44  | Screw Set, connects blade to rod |
| 3. | SP-LA125 Inner Rod (includes end cylinder SP-LA43 and end cap with loop SP-LA45 ) | 9.  |          | Screw                            |
| 4. | SP-LA155 Spring for Handle  | 10. | SP-LAXRC | Rubber Cushion for Handle        |
| 5. | SP-LA39 Stop Screw for Handle   | 11. | SP-1501  | Replacement Blade Set            |
| 6. | SP-LA40 Pivot Bolt for Handle   |     |          |                                  |

***All highlighted items are available from inventory.  
All others are available by Special Order.***



# LONG REACH PRUNERS

## ZR Series—page 2 of 2

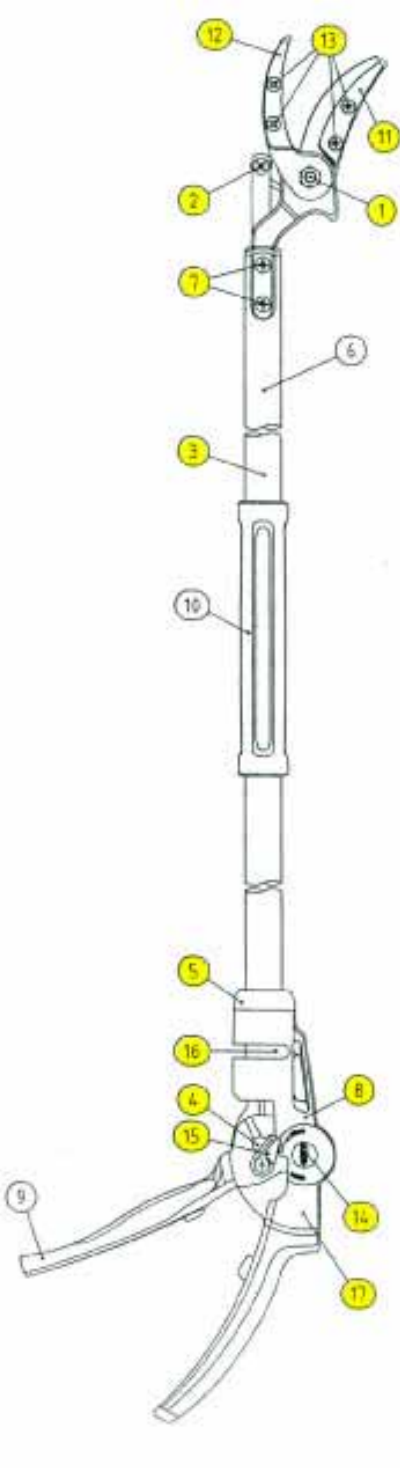


|              |   |              |                                |
|--------------|---|--------------|--------------------------------|
| 7. SP-ZR339  | Sleeve for Grip                             | 22. SP-ZR354 | Joint Case Set for LA-160ZR203 |
| 10.          | Lower Pipe for ZR203                        | 23. SP-ZR355 | Joint Case Set for LA-160ZR305 |
| 11.          | Lower Pipe for ZR305                        | 24. SP-ZR356 | Joint Case Set for LA-180ZR203 |
| 16. SP-ZR348 | Handle Set (includes spring and stop screw) | 25. SP-ZR357 | Joint Case Set for LA-180ZR305 |
| 17.          | Grip Lever Only                             | 26. SP-LA101 | Spring for Handle              |
| 18.          | Middle Grip                                 | 29.          | Center Bolt & Nut for Grip     |
| 25. SP-ZR357 | Joint Case Set for LA-180ZR305              | 30. SP-ZR380 | Handle Latch Lock Set          |
| 26. SP-LA101 | Spring for Handle                           | 31. SP-LA39  | Stop Screw                     |
| 27. SP-ZR203 | Steel Band Set for ZR203                    | 34.          | Nut Cap for Handle             |

***All highlighted items are available from inventory.  
All others are available by Special Order.***

# LONG REACH PRUNERS

## LA-160ZR18



- |     |          |  |
|-----|----------|--|
| 1.  | SP-ZR334 | Bolt, Washer, & Nut                                  |
| 2.  | SP-LA74  | Screw, Nut, & Washer                                 |
| 3.  | SP-ZR392 | Rod for LA-160ZR18                                   |
| 4.  | SP-LA43  | End Cylinder for inner rod                           |
| 5.  | SP-ZR339 | Sleeve for Grip                                      |
| 6.  |          | Pipe   |
| 7.  | SP-ZR394 | Screws (2pcs), Attach Blade to ZR18 Pipe             |
| 8.  | SP-LA101 | Spring for Handle                                    |
| 9.  |          | Grip Lever Only                                      |
| 10. |          | Middle Grip  |
| 11. | SP-ZR351 | Holding Device for Cutting Blade (includes 2 screws) |
| 12. | SP-ZR352 | Holding Device for Counter Blade (includes 2 screws) |
| 13. | SP-ZR353 | Screw (4pcs), Attach Holding Device to Blade         |
| 14. | SP-LA40  | Center Bolt & Nut for Grip                           |
| 15. | SP-ZR380 | Handle Latch Lock Set                                |
| 16. | SP-ZR400 | Stop Screw   |
| 17. | SP-ZR348 | Grip (Handle) Set                                    |

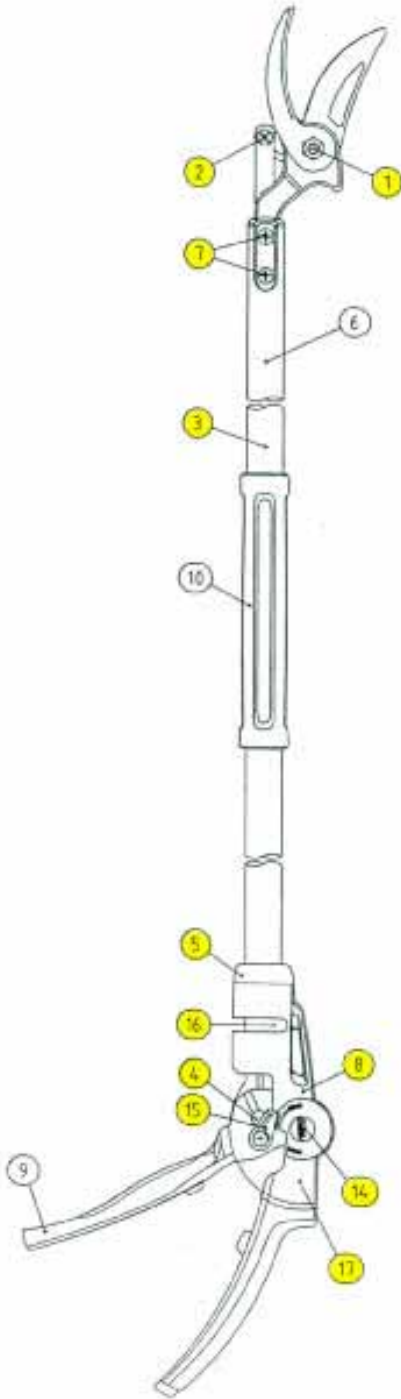
**BLADE SETS:**

- |           |                                  |
|-----------|----------------------------------|
| SP-160ZR1 | Replacement Cut & Hold Blade Set |
|-----------|----------------------------------|

*All highlighted items are available from inventory.  
All others are available by Special Order.*

# LONG REACH PRUNERS

## LA-180ZR18



- |     |          |  |
|-----|----------|--|
| 1.  | SP-ZR334 | Bolt, Washer, & Nut                      |
| 2.  | SP-LA74  | Screw, Nut, & Washer                     |
| 3.  | SP-ZR392 | Rod for LA-180ZR18                       |
| 4.  | SP-LA43  | End Cylinder for Inner Rod               |
| 5.  | SP-ZR339 | Sleeve for Grip                          |
| 6.  |          | Pipe                                     |
| 7.  | SP-ZR394 | Screws (2pcs), Attach Blade to ZR18 Pipe |
| 8.  | SP-LA101 | Spring for Handle                        |
| 9.  |          | Grip Lever Only                          |
| 10. |          | Middle Grip                              |
| 14. | SP-LA40  | Center Bolt & Nut for Grip               |
| 15. | SP-ZR380 | Handle Latch Lock Set                    |
| 16. | SP-ZR400 | Stop Screw                               |
| 17. | SP-ZR348 | Grip (Handle) Set                        |

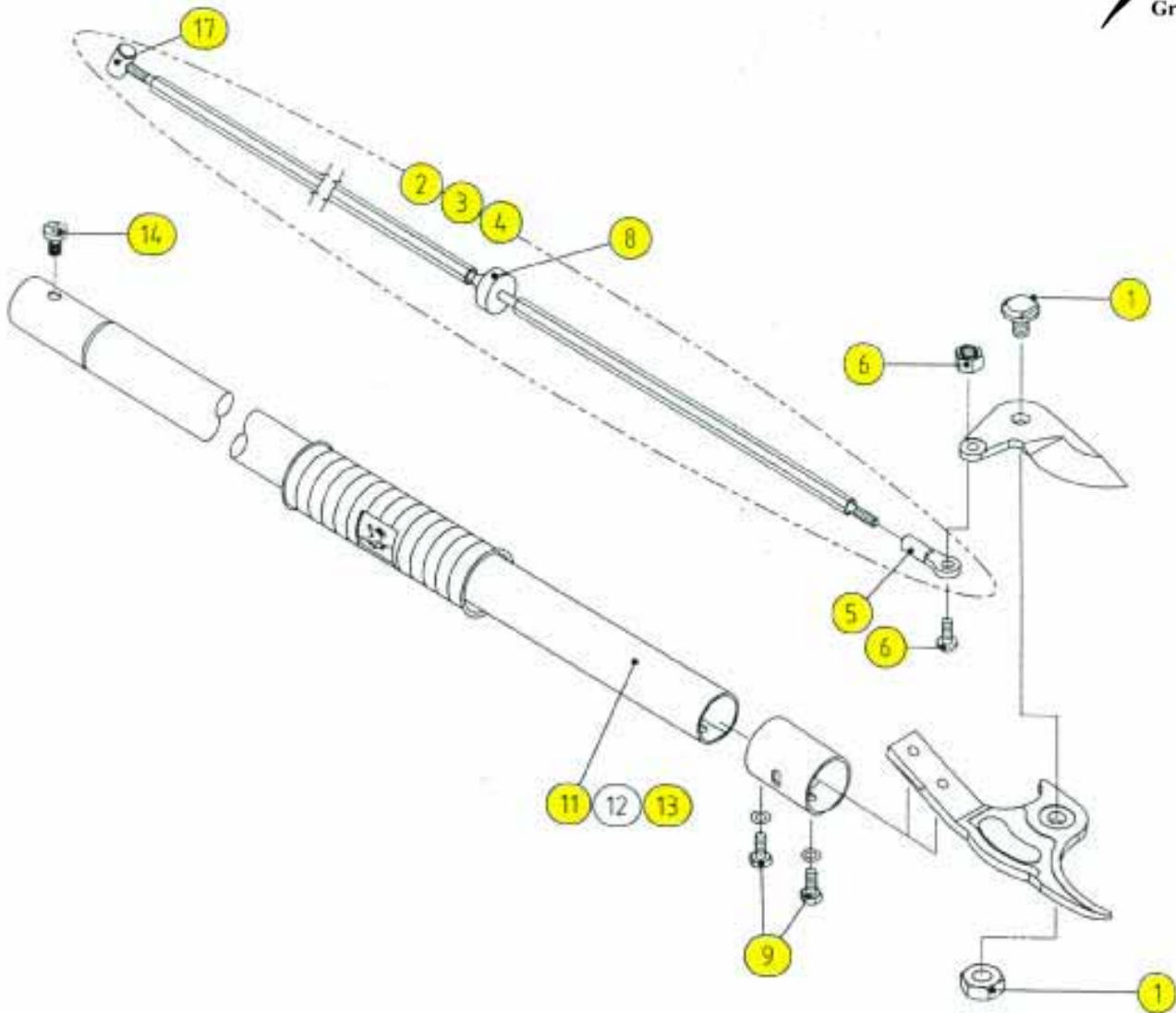
**BLADE SETS:**

- |           |                                  |
|-----------|----------------------------------|
| SP-180ZR1 | Replacement Cut & Hold Blade Set |
|-----------|----------------------------------|

*All highlighted items are available from inventory.  
All others are available by Special Order.*

# LONG REACH PRUNERS

## L-Series (180 Head) - page 1 of 2

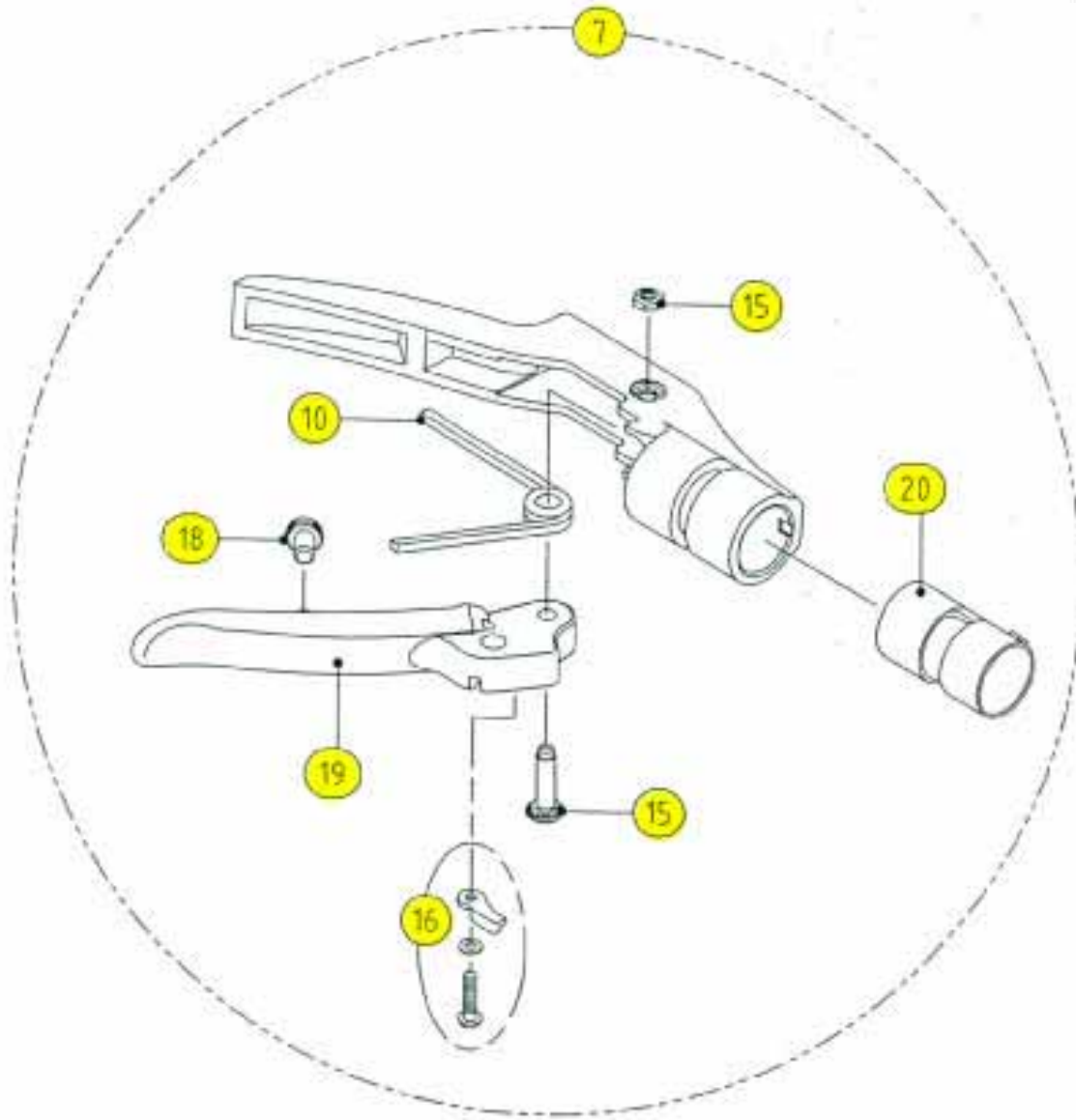


- |             |  |              |   |
|-------------|--|--------------|---|
| 1. SP-LA216 | Pivot Bolt for Blade Set   | 11. SP-LA290 | Pipe for LA-180L12 — <b>Special Order</b> |
| 2. SP-LA236 | Rod Set for LA-180L12<br>(includes end cylinder and rod end cap) | 12.          | Pipe for LA-180L18                        |
| 3. SP-LA237 | Rod Set for LA-180L18<br>(includes end cylinder and rod end cap) | 13. SP-LA292 | Pipe for LA-180L21 — <b>Special Order</b> |
| 4. SP-LA238 | Rod Set for LA-180L21<br>(includes end cylinder and rod End Cap) | 14. SP-LA39  | Stop Screw for Handle                     |
| 5. SP-LA264 | Rod End Cap (Bolt with loop to attach blade to rod)              | 17. SP-LA43  | End Cylinder for Rod                      |
| 6. SP-LA259 | Screw Set (attaches blade to rod)                                |              |   |
| 8. SP-LA235 | Rod Holding Disc   |              |   |
| 9. SP-LA239 | Bolt with Nut (attaches blade to pipe)                           |              |   |
- BLADE SETS:
- |          |                       |
|----------|-----------------------|
| SP-180L1 | Replacement Blade Set |
|----------|-----------------------|

*All highlighted items are available from inventory.  
All others are available by Special Order.*

# LONG REACH PRUNERS

## L-Series (180 Head) - page 2 of 2

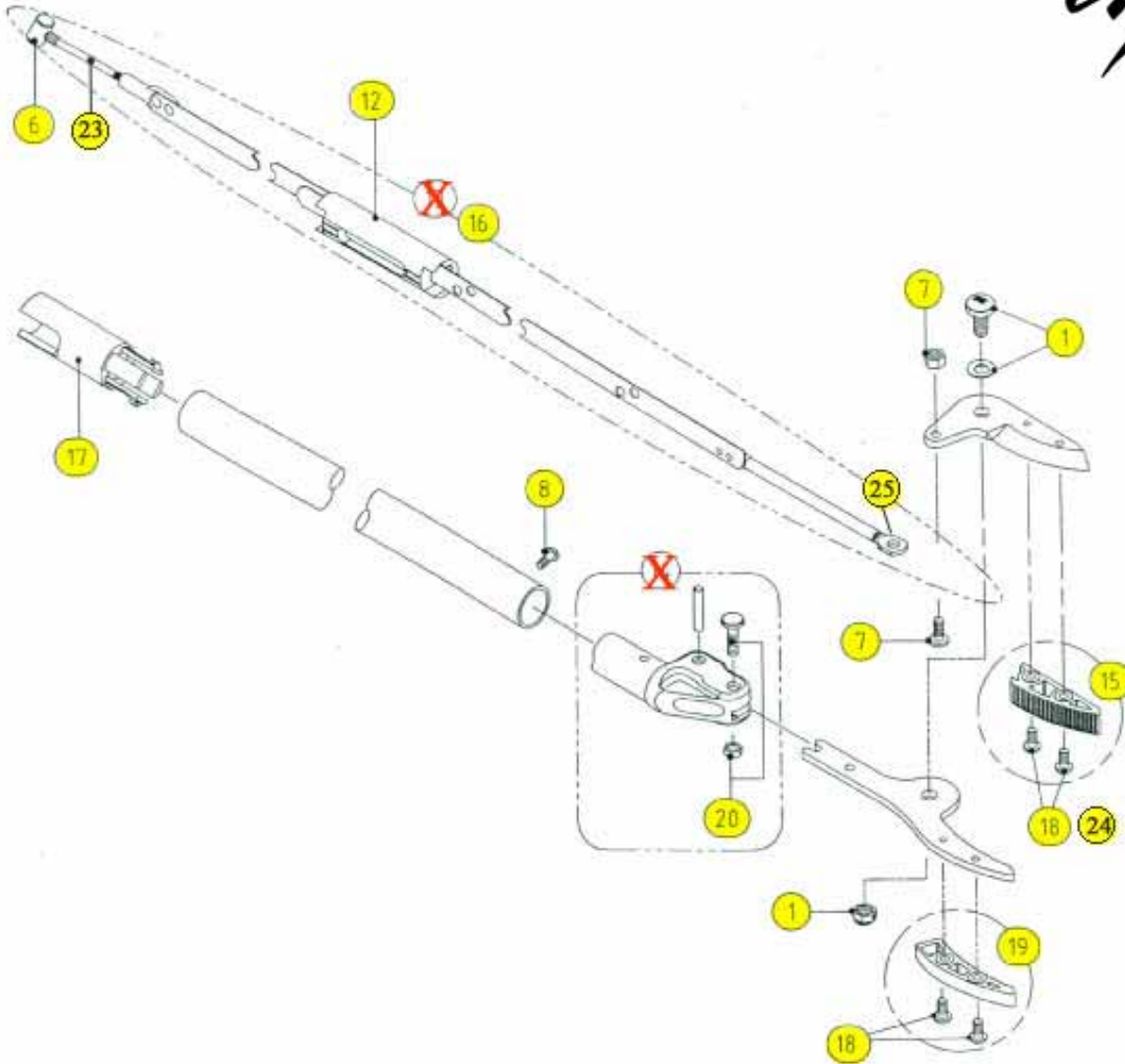


- 7. SP-LA79 Complete Handle Set (includes spring, latch lock set, pivot bolt, shock absorber, grip lever, stop screw, sleeve for grip, and grip handle)
- 10. SP-LA101 Spring for Handle
- 15. SP-LA40 Pivot Bolt for Handle
- 16. SP-LA42 Latch Lock Set for Handle
- 18. SP-LAXRC Shock Absorber for Handle
- 19. SP-LA145 Grip Lever Only for Handle
- 20. SP-LA167 Sleeve for Grip

***All highlighted items are available from inventory.  
All others are available by Special Order.***

# LONG REACH PRUNERS

## ZK Series—page 1 of 2

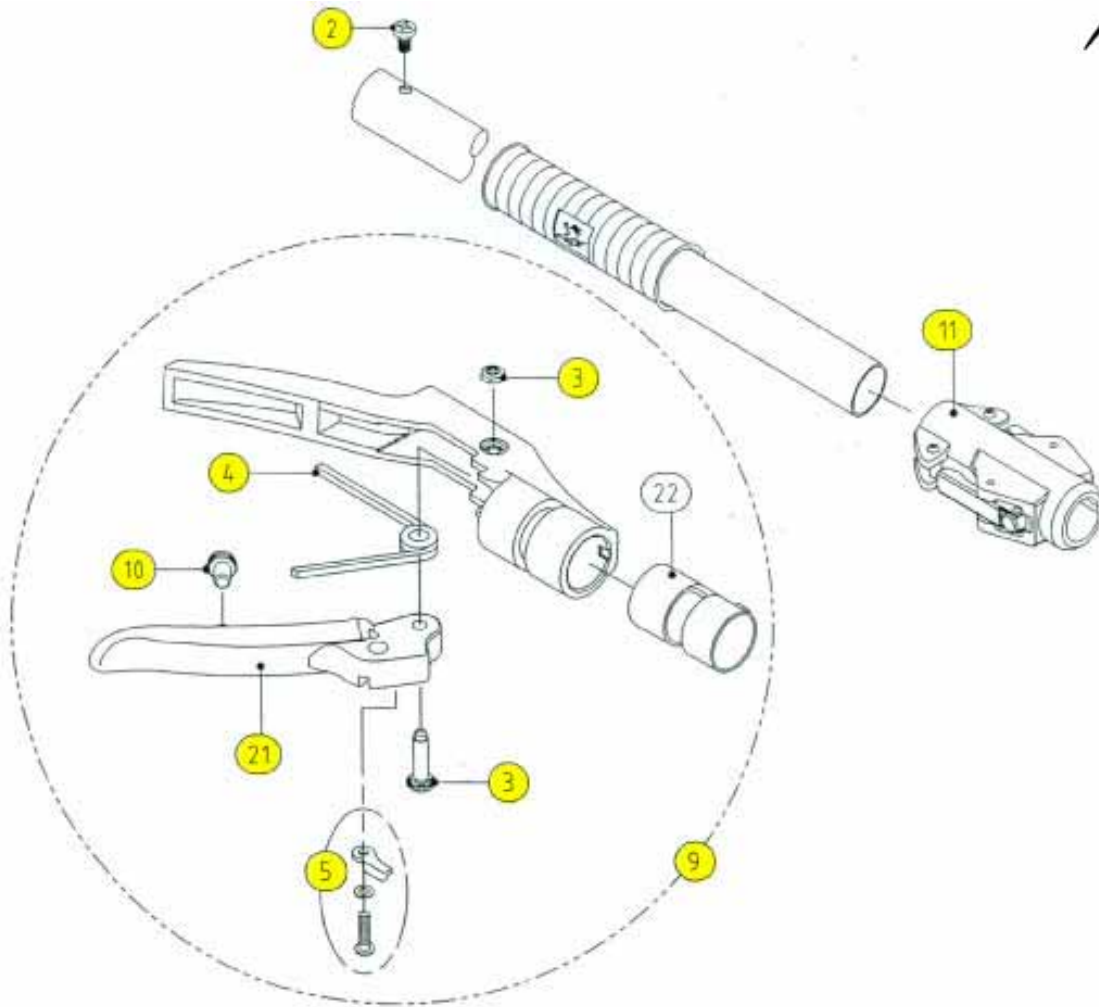


- |                     |  |                    |   |
|---------------------|--|--------------------|---|
| 1. SP-LA30          | Pivot Bolt for Blade Sets  | 17. SP-LA166       | End Cap for Upper Pipe (white cylindrical insert that attaches to bottom of upper pipe) |
| 6. SP-LA43          | End Cylinder for Rod   | 18. SP-LA202       | Screw for Holding Device for 160 Head   |
| 7. SP-LA299         | Screw Set. (Connects blade to rod)   | 19. SP-LA296       | Holding Device for Counter Blade for 160 Head   |
| 8. SP-LA283         | Screw to attach plastic insert to pipe   | 20. SP-LA75        | Screw (Connects blade to plastic insert)  |
| 12. SP-LA130        | Inner Case (white plastic cylinder – NOTE: requires special tools and equipment to reassemble slides – consider replacing extension slide) | 23. SP-R160Z       | Short Rod (connects extension slide to handle) (includes SP-LA43/end cylinder)          |
| 13. <b>SOLD OUT</b> | Extension Slide for 305/315  | 24. SP-LA36        | Holding Device Set for 190 Head (with 2 screws) (red plastic – includes both pieces)    |
| 14. <b>SOLD OUT</b> | ZK Insert Set  | 25. SP-LA45        | Rod End Cap. (Bolt with loop to attach blade to rod)                                    |
| 15. SP-LA160HD      | Holding Device with 2 screws for Cutting Blade for 160 Head (red plastic – cutting side only)  |                    |   |
| 16. SP-LA164        | Extension Slide for 203/213 (includes inner case, short rod - which includes rod end cap, and 2 slides)                                    | <b>BLADE SETS:</b> |   |
|                     |  | SP-160ZT1          | Replacement Cut & Hold Blade Set  |
|                     |  | SP-180ZT1          | Replacement Razor Edge Blade Set  |
|                     |  | SP-183ZT1          | Replacement Anvil Pruner Blade Set  |
|                     |  | SP-190ZT1          | Replacement Shearing Blade Set with   |

*All highlighted items are available from inventory.  
All others are available by Special Order.*

# LONG REACH PRUNERS

## ZK Series—page 1 of 2

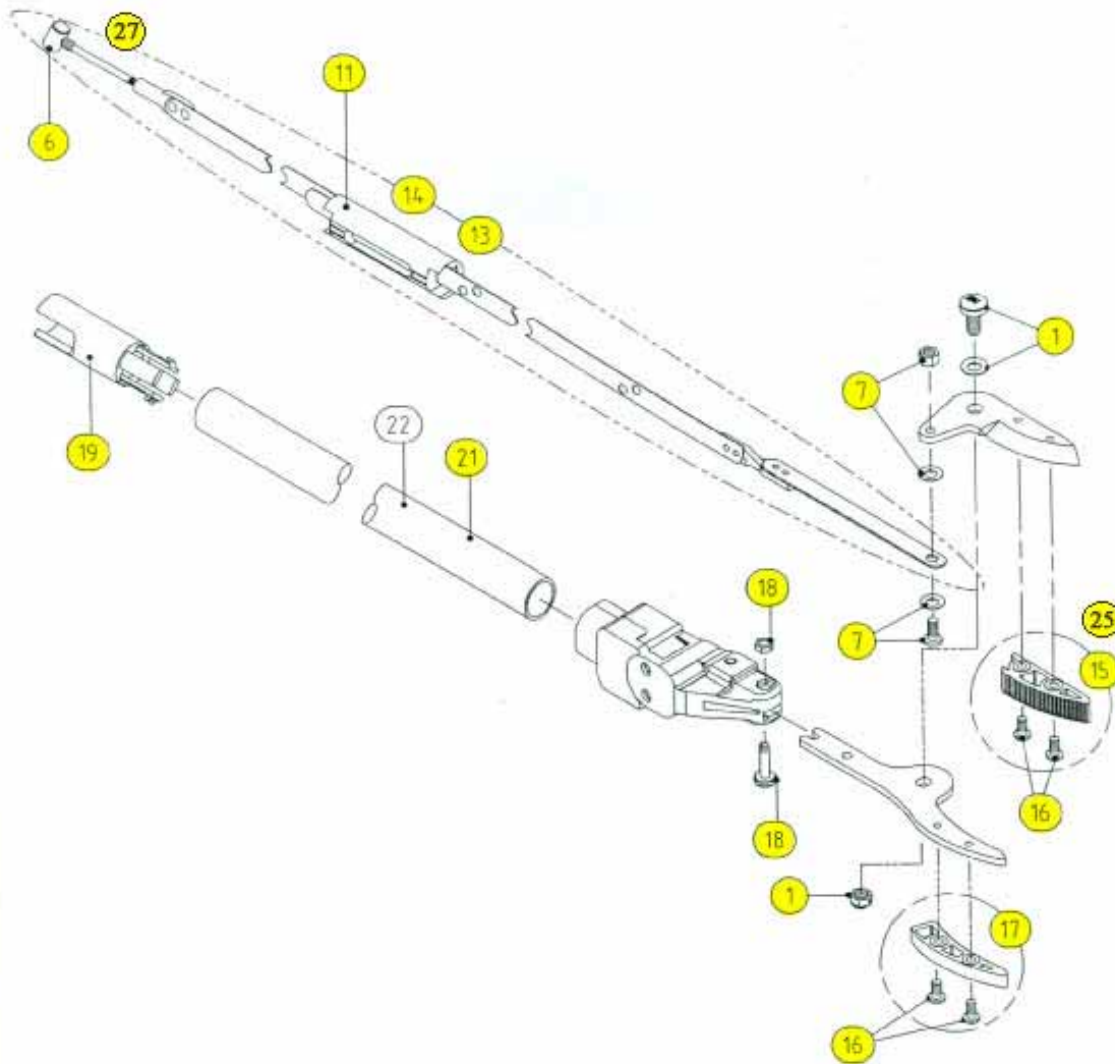


- |     |           |  |
|-----|-----------|--|
| 2.  | SP-LA39   | Stop Screw for Handle  |
| 3.  | SP-LA40   | Pivot Bolt for Handle  |
| 4.  | SP-LA101  | Spring for Handle  |
| 5.  | SP-LA42   | Latch Lock Set for Handle  |
| 9.  | SP-LA79   | Complete Handle Set<br>(includes spring, latch lock set, pivot bolt, shock absorber, grip lever, stop screw, sleeve for grip, and grip handle) |
| 10. | SP-LAXRC  | Shock Absorber for Handle  |
| 11. | SP-LAZT99 | Joint Case<br>(includes 2 screws, 2 plastic inserts, and joint case)   |
| 21. | SP-LA145  | Grip Lever Only for Handle   |
| 22. |           | Sleeve for Grip  |

***All highlighted items are available from inventory.  
All others are available by Special Order.***

# LONG REACH PRUNERS

## ZT Series—page 1 of 2

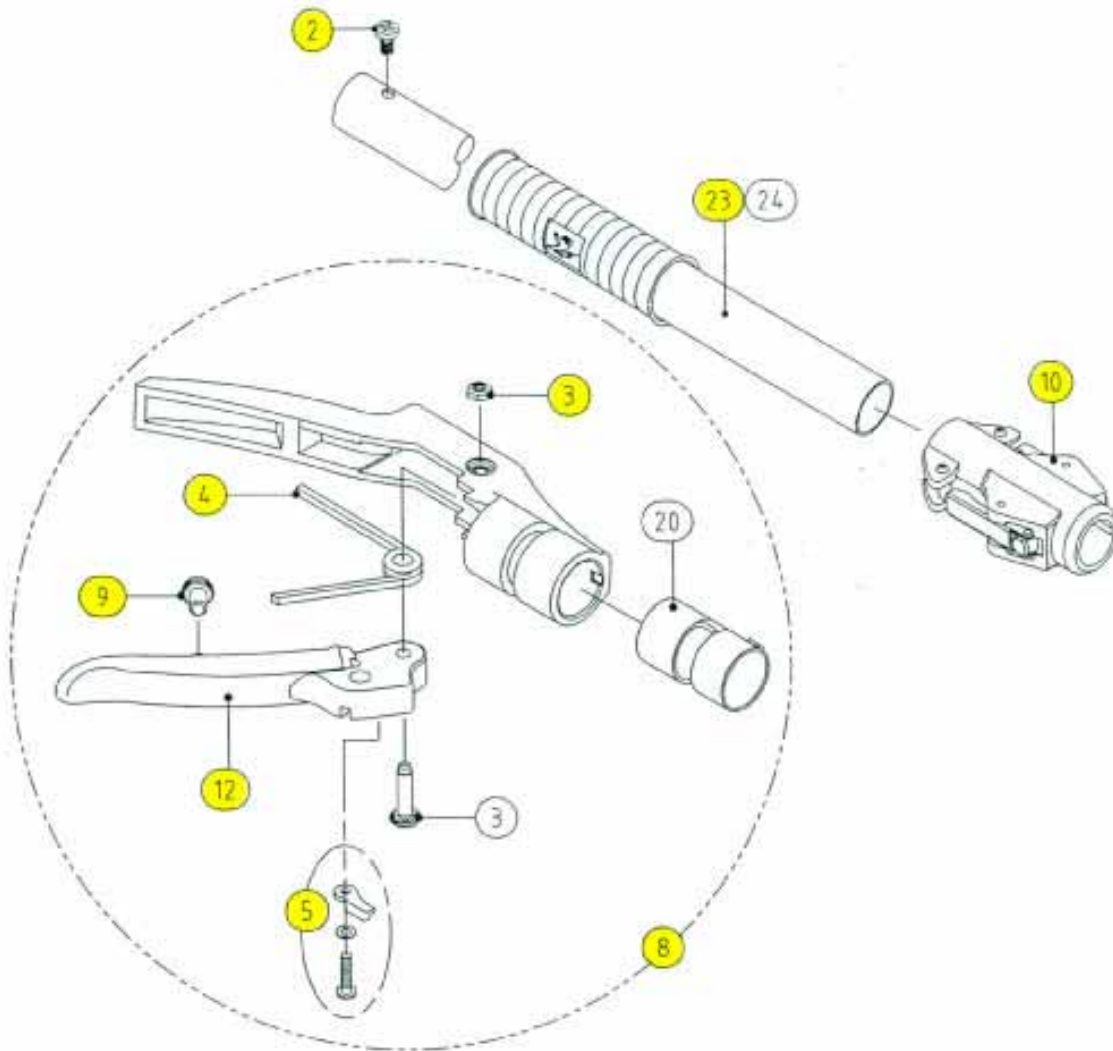


- |                |   |              |  |
|----------------|---|--------------|--|
| 1. SP-LA30     | Pivot Bolt for Blade Sets   | 18. SP-LA75  | Screw Set Connect Blade to Tilt Case   |
| 6. SP-LA43     | End Cylinder for Rod  | 19. SP-LA166 | End Cap for Upper Pipe<br>(white cylindrical insert that attaches to bottom of upper pipe) |
| 7. SP-LA74     | Screw Set Connect Blade to Extension Slide  | 21. SP-LA183 | Upper Pipe for 305   |
| 11. SP-LA130   | Inner Case (white plastic cylinder –<br>NOTE: requires special tools and equipment to reassemble slides – consider replacing extension slide) | 22.          | Upper Pipe for 203   |
| 13. SP-LA105   | Extension Slide Set for 203/213<br>(includes inner case, short rod - which includes rod end cap, and 2 slides)                                | 25. SP-LA36  | Holding device with 2 Screws for 190 Head  |
| 14. SP-LA106   | Extension Slide Set for 305/315<br>(includes inner case, short rod - which includes rod end cap, and 2 slides)                                | 27. SP-R160Z | Short Rod<br>(connects extension slide to handle)<br>(includes SP-LA43/end cylinder)       |
| 15. SP-LA160HD | Holding Device with 2 screws for Cutting Blade for 160 Head (red plastic – cutting side only)   |              |  |
| 16. SP-LA202   | Screw for Holding Device for 160 Head   |              |  |
| 17. SP-LA296   | Holding Device for Counter Blade for 160 Head   |              |  |

***All highlighted items are available from inventory.  
All others are available by Special Order.***

# LONG REACH PRUNERS

## ZT Series—page 2 of 2

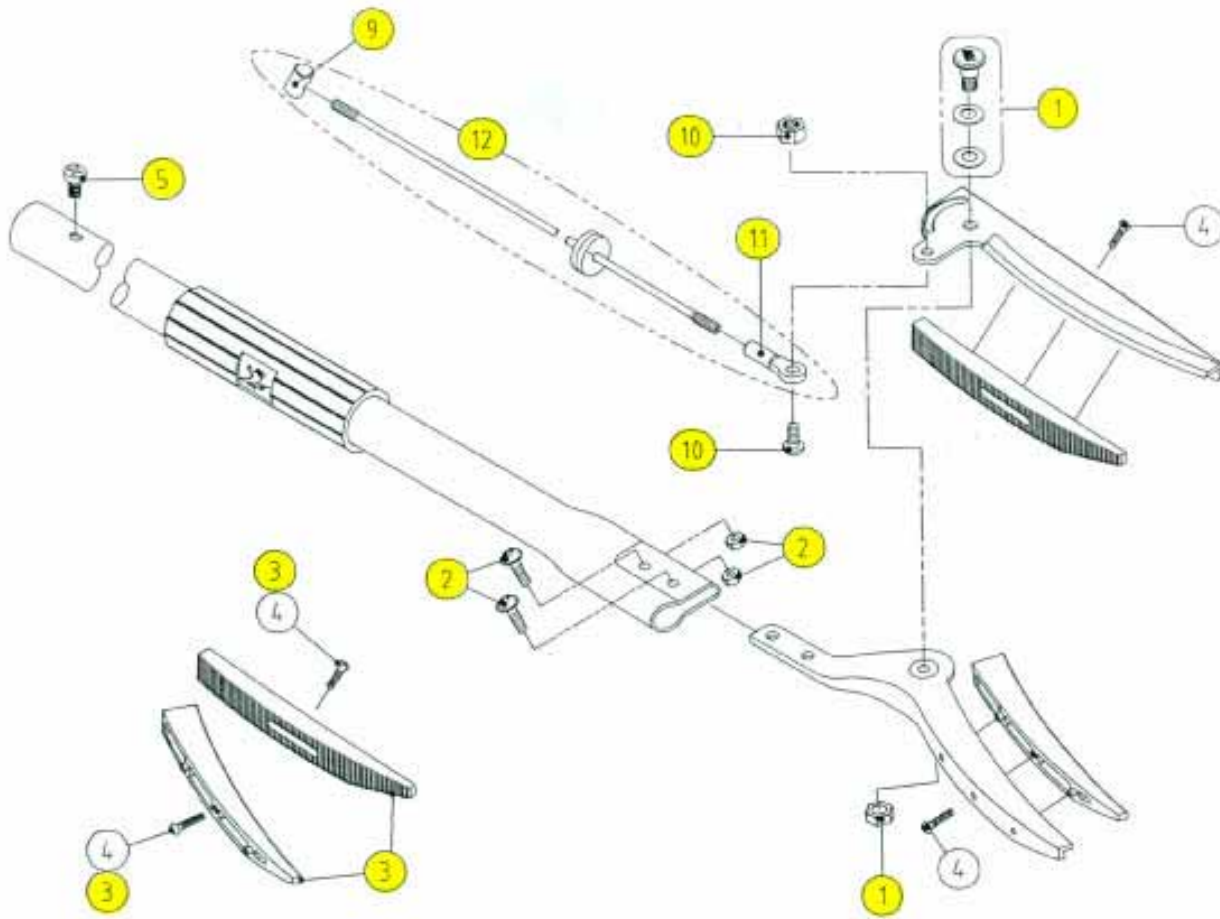


- |   |   |  |   |
|---|---|--|---|
| <ul style="list-style-type: none"> <li>2. SP-LA39</li> <li>3. SP-LA40</li> <li>4. SP-LA101</li> <li>5. SP-LA42</li> <li>8. SP-LA79</li> <li>9. SP-LAXRC</li> <li>10. SP-LAZT99</li> </ul> | <ul style="list-style-type: none"> <li>Stop Screw for Handle</li> <li>Pivot Bolt for Handle</li> <li>Spring for Handle</li> <li>Latch Lock Set for Handle</li> <li>Complete Handle Set (includes spring, latch lock set, pivot bolt, shock absorber, grip lever, stop screw, sleeve for grip, and grip handle)</li> <li>Shock Absorber for Handle</li> <li>Joint Case (includes 2 screws, 2 plastic inserts, and joint case)</li> </ul> | <ul style="list-style-type: none"> <li>12. SP-LA145</li> <li>20.</li> <li>23. SP-LA184</li> <li>24.</li> </ul> | <ul style="list-style-type: none"> <li>Grip Lever Only for Handle</li> <li>Sleeve for Grip</li> <li>Lower Pipe for 305 <b>Special Order</b></li> <li>Lower Pipe for 203 <b>Special Order</b></li> </ul> |
|---|---|--|---|

*All highlighted items are available from inventory.  
All others are available by Special Order.*

# LONG REACH PRUNERS

## R Series 190 Head - page 1 of 2



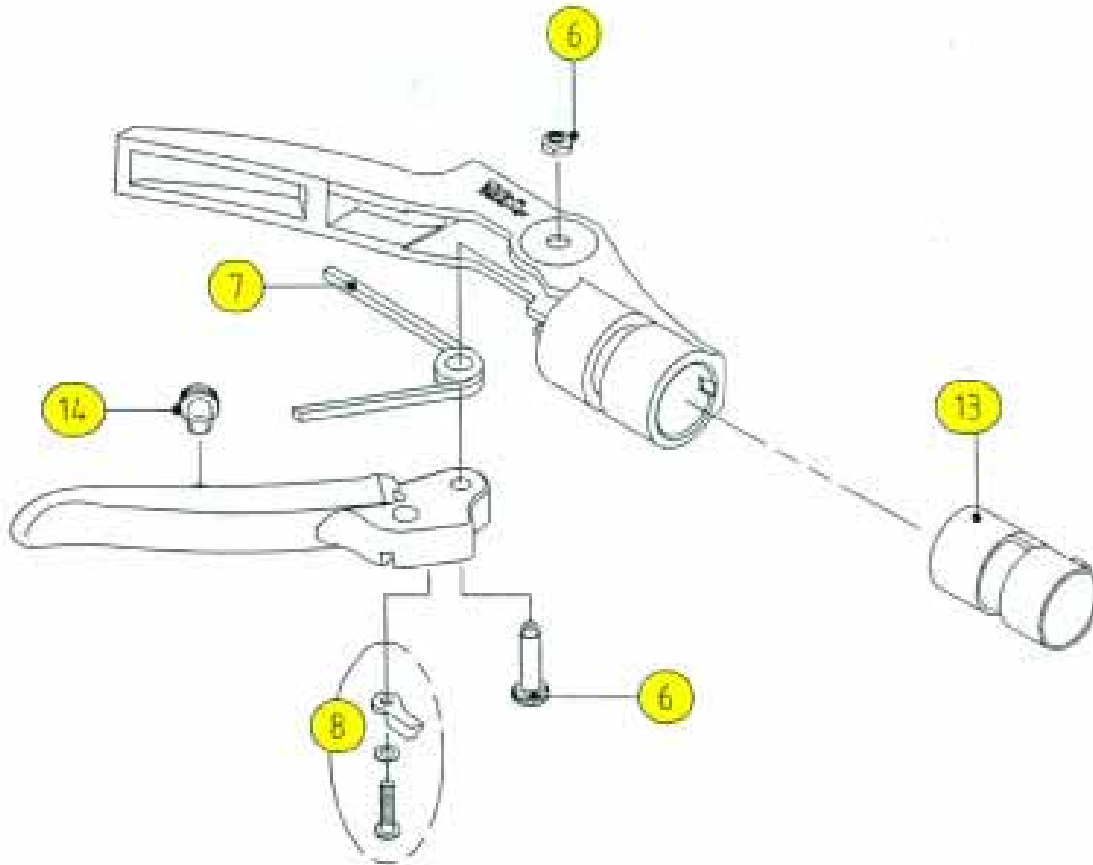
- |            |  |             |   |
|------------|--|-------------|---|
| 1. SP-LA34 | Pivot Bolt for 190 Blade Set                 | 10. SP-LA44 | Screw Set, Blade to Rod                                   |
| 2. SP-LA35 | Screw, Washer, & Nut to attach Blade to Pipe | 11. SP-LA45 | Rod End Cap. (Bolt with loop to attach blade to rod)      |
| 3. SP-LA36 | Holding Device Set with 2 Screws             | 12. SP-LA47 | Rod for LA-190R19 (includes end cylinder and rod end cap) |
| 4.         | Screws for 190 Series                        |             |   |
| 5. SP-LA39 | Stop Screw for Handle                        |             |   |
| 9. SP-LA43 | End Cylinder for Rod                         |             |   |

**BLADE SETS:**

- |          |   |
|----------|---|
| SP-19029 | Replacement Shearing Blade Set with Removable Cut and Hold Device |
|----------|---|

# LONG REACH PRUNERS

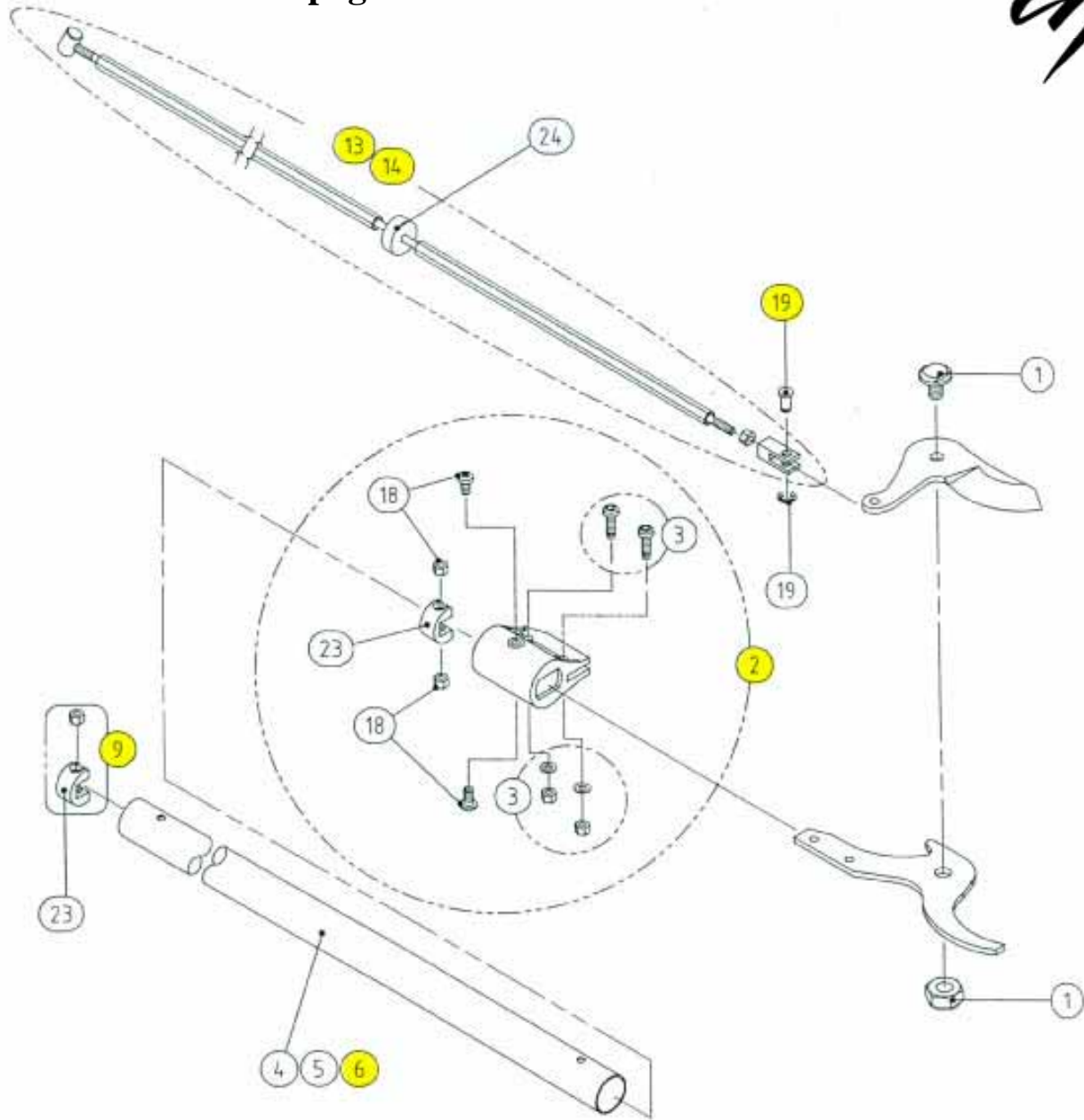
## R Series 190 Head - page 2 of 2



- 6. SP-LA40 Pivot Bolt for Handle
- 7. SP-LA41 Spring for Handle
- 8. SP-LA42 Latch Lock Set for Handle
- 13. SP-LA180HB Sleeve for Grip
- 14. SP-LAXRC Shock Absorber for Handle
- 15. SP-LA18038B Handle Set for 190 Unit

# LONG REACH LOPPERS

LP-18515/18518 - page 1 of 2

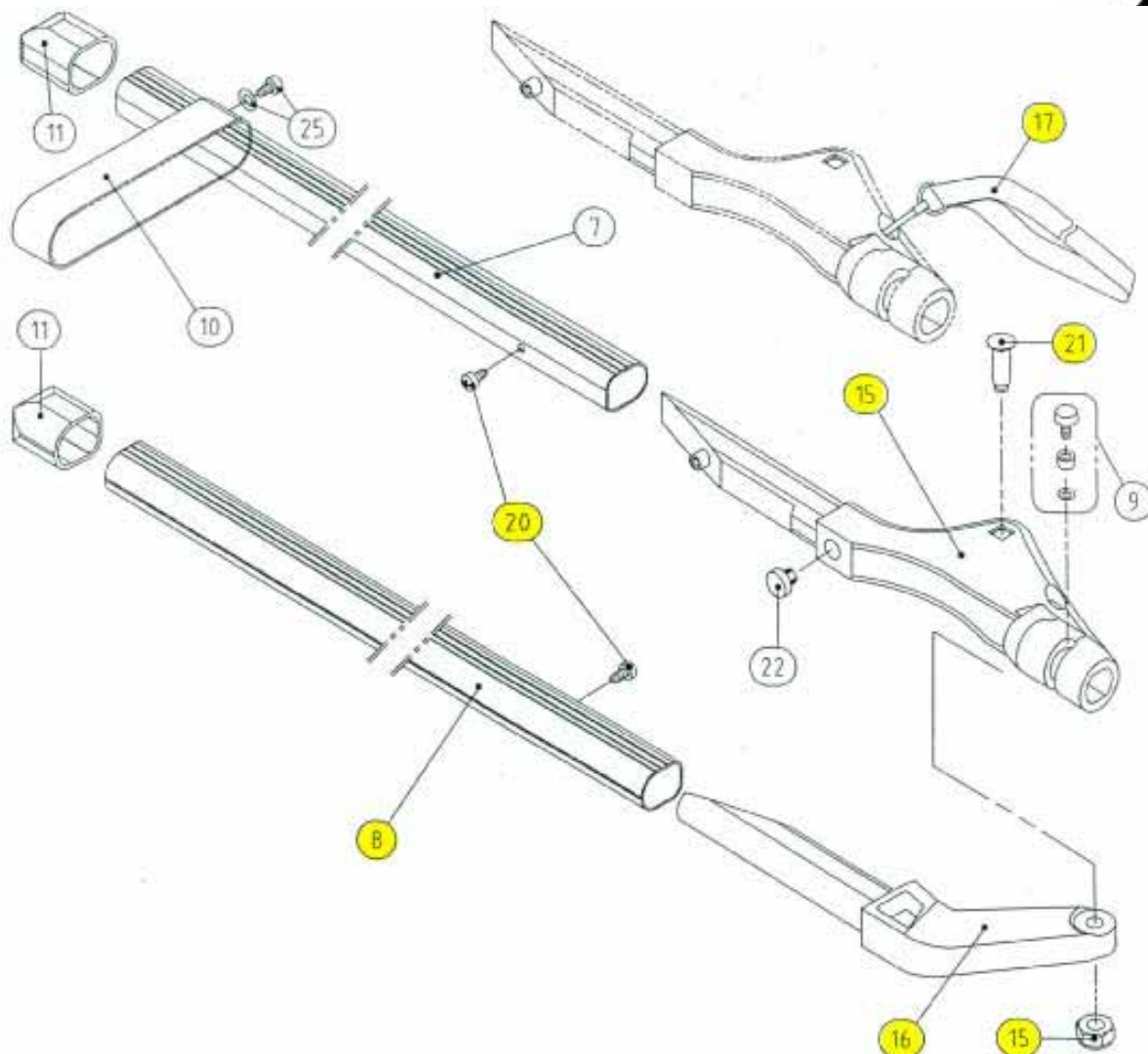


- |    |   |                  |           |                                |
|----|---|------------------|-----------|--------------------------------|
| 1. | Pivot Bolt for Blade Set  | 13.              | SP-185231 | Rod Set for LP-18515           |
| 2. | SP-185206 Collar For Blade Attachment<br>Includes 2 screws to attach pipe and 2 bolts,<br>nuts and washers for the counter blade. | 14.              | SP-185232 | Rod Set for LP-18518           |
| 3. | Cap, Bolt, Nut, & Washer to attach Blade to Collar  | 18.              |           | Screw to attach Collar to Pipe |
| 5. | Pipe for LP-18515   | 19.              | SP-185163 | Screw Set, Blade to Rod        |
| 6. | SP-185210 Pipe for LP-18518   | 23.              |           | Rod Guide                      |
| 9. | SP-185213 Screw Set (Controls Rotation of Blade Pipe)   | 24.              |           | Rod Holding Disk               |
|    |   | <b>BLADE SET</b> |           |                                |
|    |   |                  | SP-1851   | Replacement Blade Set          |

*All highlighted items are available from inventory.  
All others are available by Special Order.*

# LONG REACH LOPPERS

LP-18515/18518 - page 2 of 2



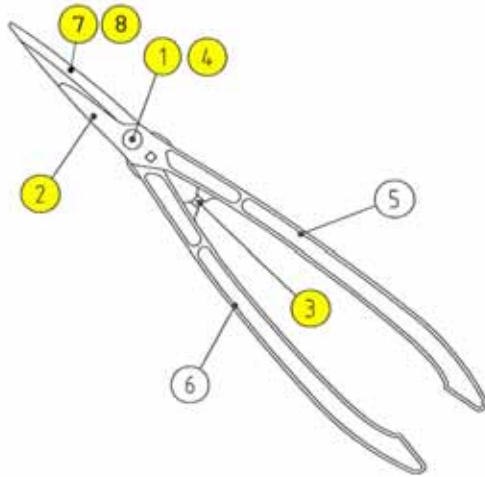
- |               |                                |
|---------------|--------------------------------|
| 7.            | Lever Pipe 1                   |
| 8. SP-185212  | Lever Pipe 2                   |
| 10.           | Stopper Band                   |
| 11.           | End Cap                        |
| 15. SP-185252 | Grip                           |
| 16. SP-185253 | Lever ( <b>Special Order</b> ) |
| 17. SP-185STP | Strap                          |
| 20. SP-185318 | Bolt for Lever Pipe            |
| 21. SP-185319 | Bolt & Nut for Grip            |
| 22.           | Rubber Cushion for Handle      |
| 25.           | Bolt and Nut for Stopper Band  |

*All highlighted items are available from inventory.  
All others are available by Special Order.*

# HEDGE SHEARS

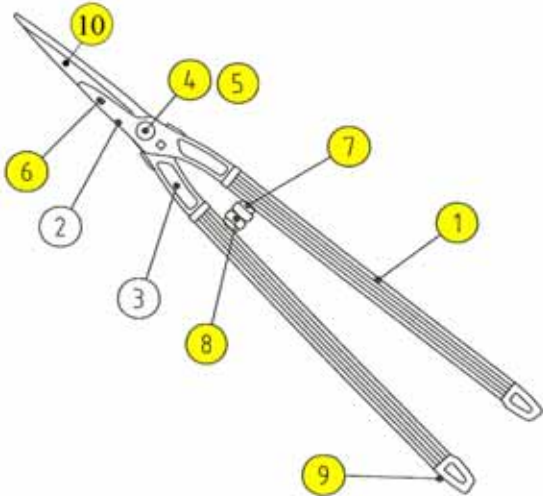


## HS-K1000/1000L



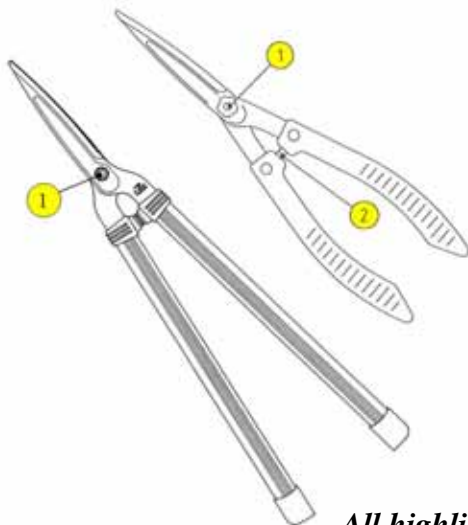
- 1. SP-100018 Pivot Bolt
- 2. SP-100020 Blade Screw
- 3. SP-100021 Rubber bumper
- 4. SP-100022 Pivot Cap (Covers SP-100018)
- 5. SP-1000255 Right Grip for HS-K1000 (**Special Order**)
- 6. Left Grip for HS-K1000 (**Special Order**)
- 7. SP-K10001 Replacement Blade for HS-K1000
- 8. SP-K11001 Replacement Blade for HS-K1000L

## HS-K1100



- 1. SP-110095 Aluminum Pipe
- 2. Blade Holding Handle—Top/Right
- 3. Blade Holding Handle—Bottom/Left
- 4. SP-100018 Pivot Bolt
- 5. SP-100022 Pivot Cap (Covers SP-100018)
- 6. SP-100020 Blade Screw
- 7. SP-110055 Socket and Screw (does not include bumper)
- 8. SP-110057 Rubber Bumper (fits over SP-110055)
- 9. SP-110056 End Cap
- 10. SP-K11001 Replacement Blade for HS-K1100

## HS-K800R/K900Z/K950Z



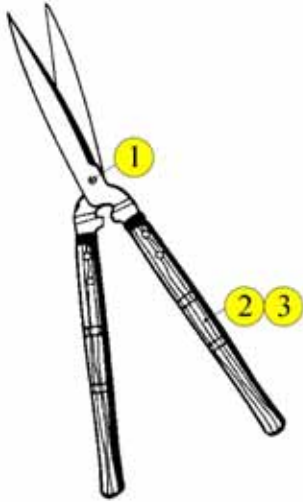
- 1. SP-80058 Bolt & Nut for HS-K800R/K900Z
- 2. SP-80059 Rubber Bumper for HS-K800R

*All highlighted items are available from inventory.  
All others are available by Special Order.*

# HEDGE SHEARS

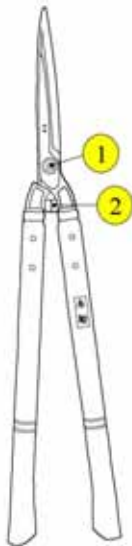


## HSK-372/HSK-375



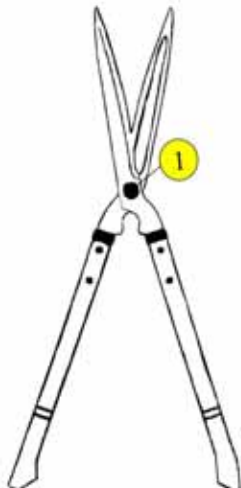
1. SPK-372BNN Center Bolt and Nut
2. SPK-372H Wood Handle for HSK-372 (includes 2 Nails)
3. SPK-375H Wood Handle for HSK-375 (includes 2 Nails)

## HSK-N226



1. SPK-372BNN Center Bolt & Nut (Silver Color)
2. SPK-N226RB Rubber Bumper

## HSK-N352

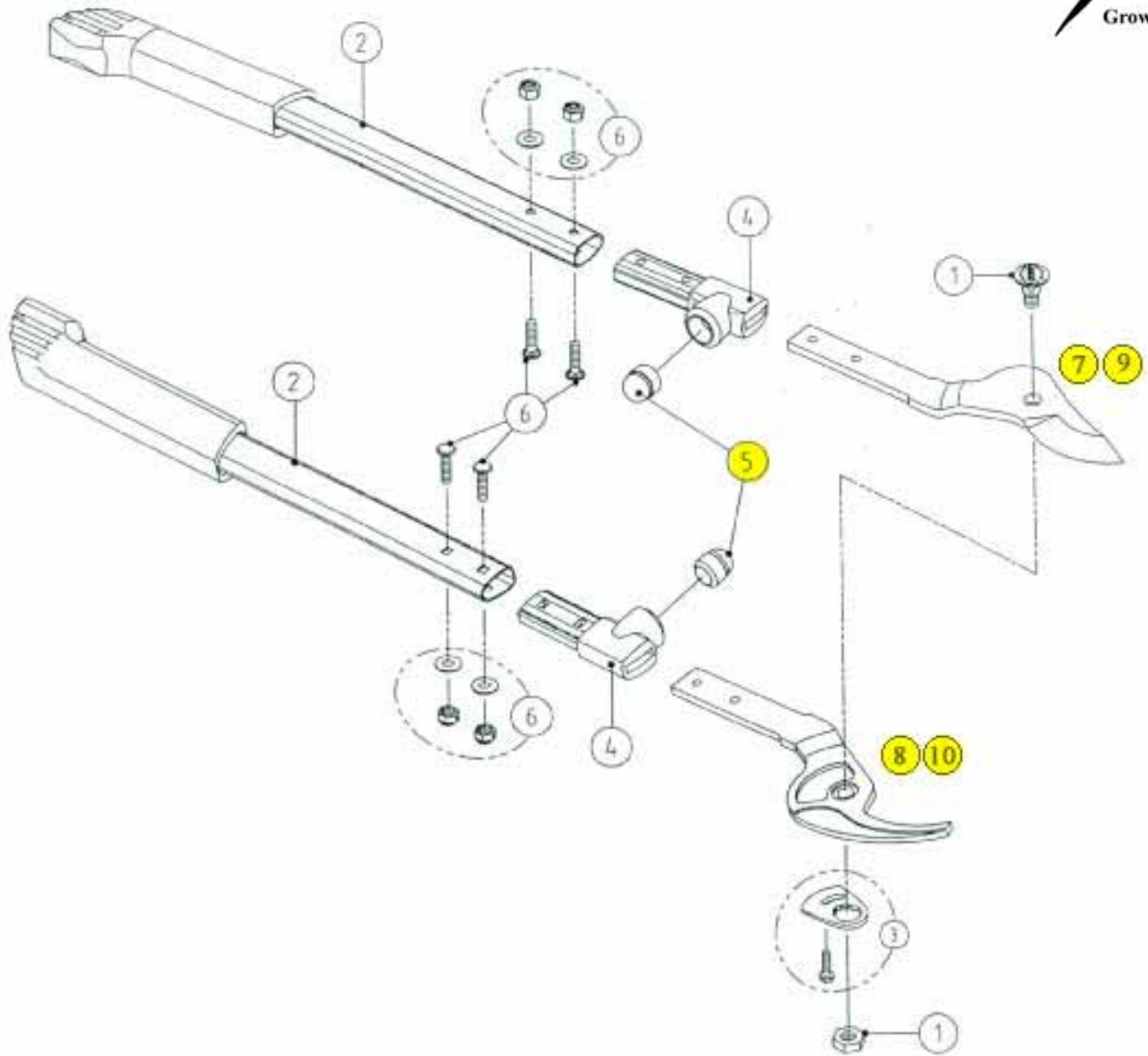


1. SPK-372BNN Center Bolt and Nut (Silver Color)

*All highlighted items are available from inventory.  
All others are available by Special Order.*

# LOPPERS

## LP-22/33

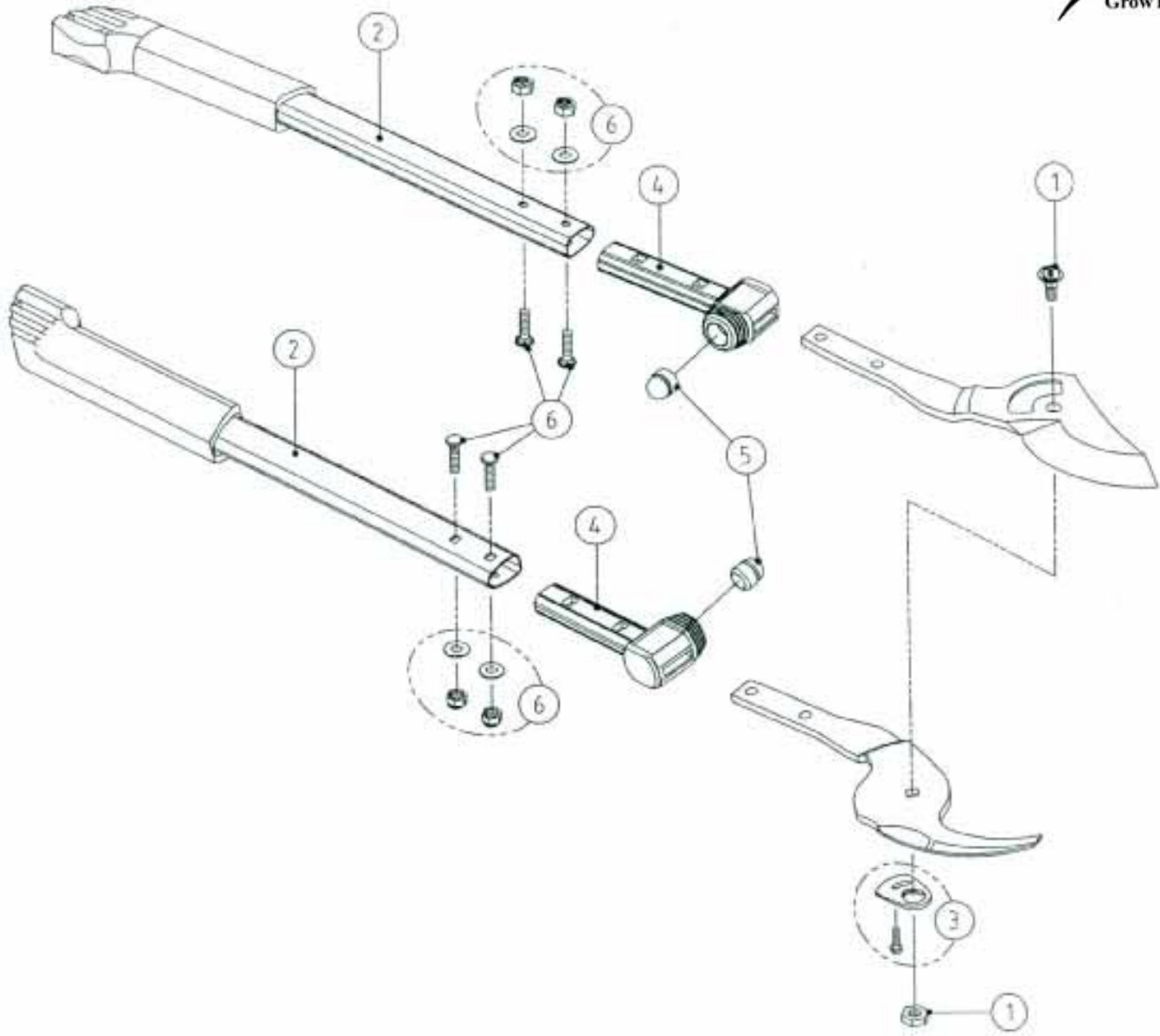


- |    |   |          |  |
|----|---|----------|--|
| 1. | Center Bolt & Nut   | 5.       | Shock Absorber for LP-22S/33S<br>Shock Absorber for LP-22M/33M |
| 2. | Pipe for LP-22S/33S with Grip<br>Pipe for LP-22M/33M with Grip<br>Pipe for LP-22L/33L with Grip | SP-LP250 | Shock Absorber for LP-22L/33L                                  |
| 3. | Screw Retainer Set  | 6.       | Blade Holding Bolt & Nut                                       |
| 4. | Bumper Socket (does not include rubber bumper)  | 7.       | SP-LP221 Cutting Blade for LP-22 Series                        |
|    |   | 8.       | SP-LP222 Counter Blade for LP-22 Series                        |
|    |   | 9.       | SP-LP331 Cutting Blade for LP-33 Series                        |
|    |   | 10.      | SP-LP332 Counter Blade for LP-33 Series                        |

***All highlighted items are available from inventory.  
All others are available by Special Order.***

# LOPPERS

## LP-40

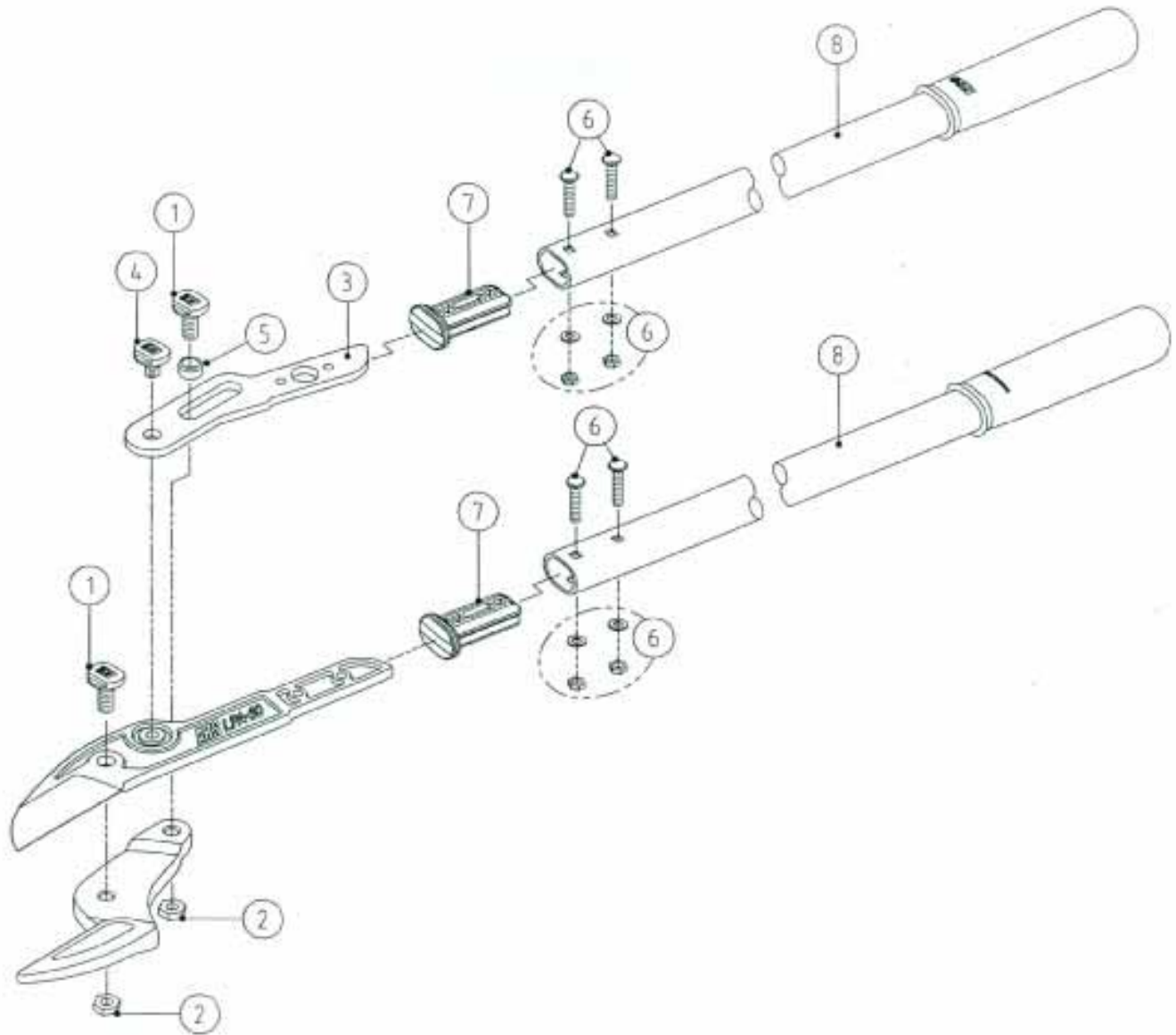


- 1. Center Bolt & Nut
- 2. Pipe with Grip
- 3. Screw Retainer Set
- 4. Bumper Socket (does not include rubber bumper)
- 5. Rubber Bumper
- 6. Blade Holding Bolt & Nut

***All highlighted items are available from inventory.  
All others are available by Special Order.***

# LOPPERS

## LP-A30L



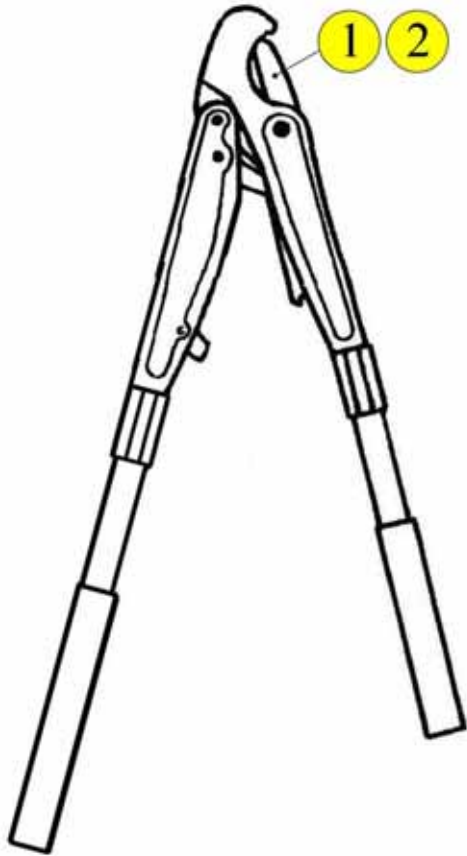
1. Center Bolt
2. Center Nut
3. Link
4. Fulcrum Bolt of Link
5. Link Spacer
6. Blade Holding Bolt, Nut, and Washer
7. Blade Holding Socket
8. Pipe with Grip

*All highlighted items are available from inventory.  
All others are available by Special Order.*

# RATCHET LOPPERS



LPG-5031/5032



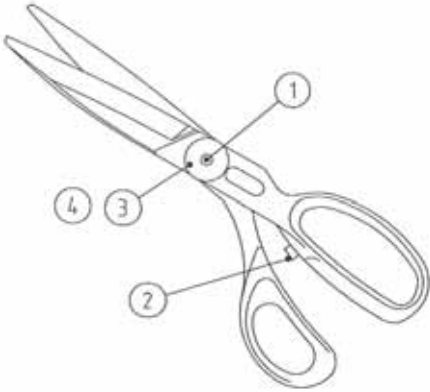
1. SPG-5031BL Blade with Hardware for LPG-5031
2. SPG-5032BL Blade with Hardware for LPG-5032

*All highlighted items are available from inventory.  
All others are available by Special Order.*

# OTHER SHEARS

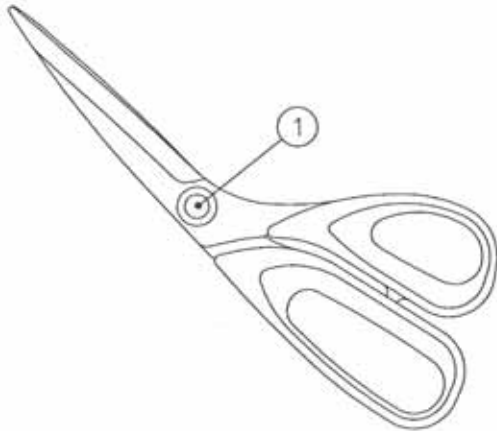


## SS-526A/526H (Special Order Shears)



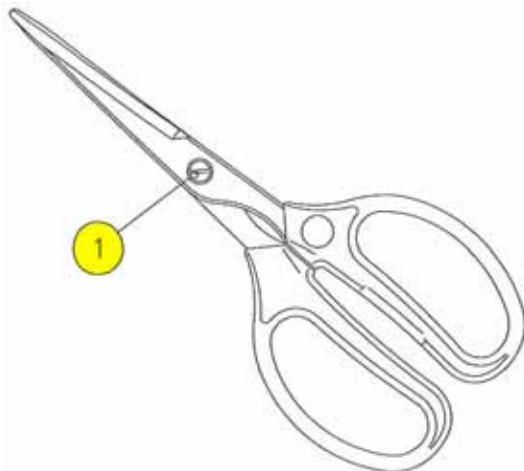
1. Bolt & Nut
2. Rubber Cushion
3. Screw for SS-526A
4. Screw for 526H

## SS-500



1. Bolt & Nut

## SS-340HT/340HM



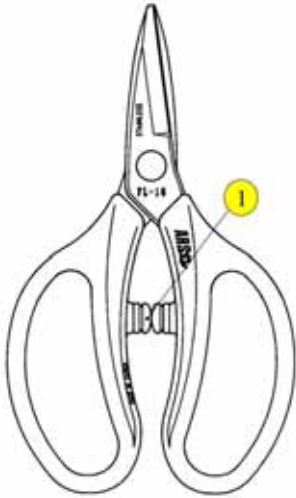
1. SP-SS25 Bolt & Nut

*All highlighted items are available from inventory.  
All others are available by Special Order.*

# OTHER SHEARS

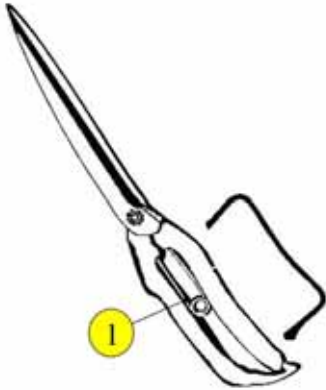


## SS-FL16/FL18



1. SP-FL16RB Rubber Bumper

## SSK-N207



1. SPK-N207SP Spring, Set of 2

*All highlighted items are available from inventory.  
All others are available by Special Order.*